

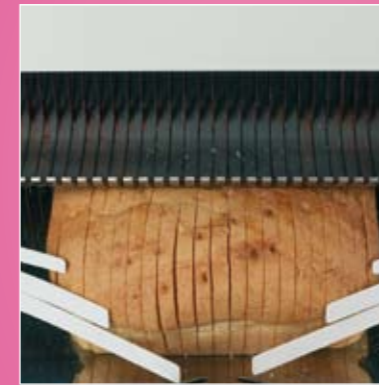
# FACE SELF

## 60/60... More counter space !

A front-loading slicer, the standard among standard slicers. This elegant, genuinely compact machine will fit into your counter space as easily as an appliance in a fitted kitchen unit.



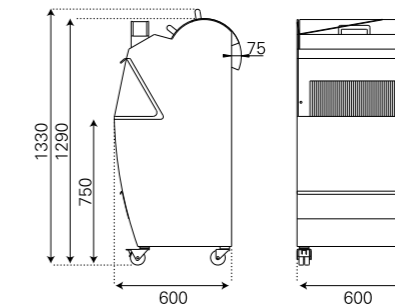
The Face and the Self can slice any type of bread. The slices are maintained together following slicing, thanks to the Jac Flaps.



The Face and the Self is a front loading slicer, a genuine front-loading slicer! The operator positions and retrieves the bread from the same position, by simply tilting his forearms.



The "M" versions of the Face and the Self slicer, which are fitted with the JAC lubrication system as standard (see page 5), can also be supplied with a "lubrication+" kit as an option, allowing them to meet the most demanding requirements.



### FACE



### SELF



DIMENSIONS (mm)

TECHNICAL SPECIFICATIONS

	FACE 450	FACE 450M	SELF 450	SELF 450 M
<b>CARACTÉRISTIQUES</b>				
Max. loaf dim. (L x w x h) (in cm)	44 x 32 x 16	44 x 31 x 16	44 x 32 x 16	44 x 31 x 16
Power output (in kW)	0,49	1,1	0,49	1,1
Net weight (in kg)	170	180	170	180
<b>CHOICE OF</b>				
Slice thickness (in mm)	from 8 to 16	from 9 to 11	from 8 to 16	from 9 to 11
Hauteur de pain	low, normal, high	normal	low, normal, high	normal
Type of motor 400/230V	single- or 3-phase	3-phase	single- or 3-phase	3-phase
<b>OPTIONS</b>				
Lubrication +		●		
Bag opening blowing system	●	●		