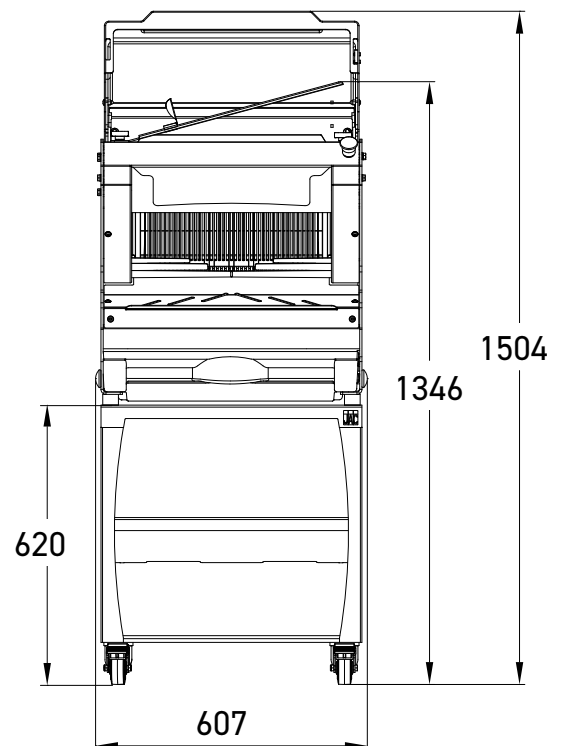
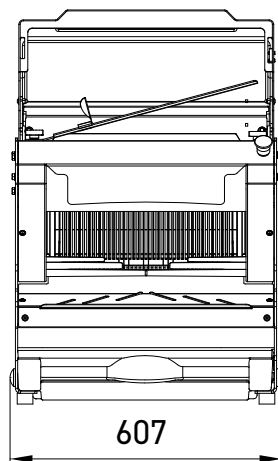
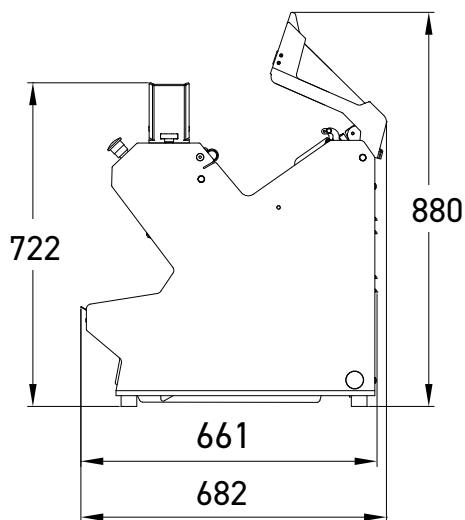


# PICOMATIC Platinum

- ✓ Minimum space requirement
- ✓ Can be used on a counter-top or on an optional wheeled base
- ✓ Automatic cutting cycle for simplicity in use and optimum time management
- ✓ Front-loading for ergonomic efficiency
- ✓ Intelligent Slicing Concept



Up to 250 loaves an hour





**Intelligent Slicing Control (JAC patent)**  
Continuous automatic control system that slices loaves according to their consistency. This allows open textured, crusty and dense breads to be sliced with equal efficiency.

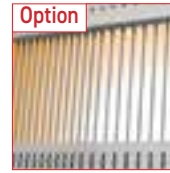


**Type available "M" system**

Micronised knife lubrication system for cutting bread with a high rye content or sticky crumb. Developed by JAC, it consumes the least possible amount of oil (120 ml per 1000 loaves) and delivers consistent cutting quality.



**Rear safety cover**  
Closing it initiates the slicing process and it opens automatically when slicing is complete.



**Option Double slice thickness**  
Allows two different slicing widths on the same machine



**Option Wheeled base with two locking casters.**  
Provides storage space and mobility.




**Option AutoMode**  
Automatic cutting cycle for optimum time management. Increased accessibility while maintaining an optimum safety level. Achieves maximum output combined with fewer operations.



**NEW**

**NEW**

FEATURES	PICOMATIC 450	PICOMATIC 450M 
Max. loaf dimensions in cm (L x W x H)	44 x 30 x 18	44 x 29 x 18
Motor power in kW	0.49	1.1
Net weight (in kg)	105	115
Blade type and dimensions in mm	13 x 0.5 steel	13 x 0.5 Teflon coated

CHOICES	PICOMATIC 450	PICOMATIC 450M
Slice thickness in mm	9 - 18	9 - 12
Loaf pusher height	Extra low (50mm) Low (80mm) High (100mm)	Misch (80mm)
Power supply	230V single phase 230V three-phase 400V three-phase	400V three-phase
Standard colour*	•	•

OPTIONS	PICOMATIC 450	PICOMATIC 450M
Heavy duty motor**	•	
<b>NEW AutoMode</b>	•	•
<b>NEW Black Edition Finish***</b>	•	•
Information screen****	•	•
Wheeled base	•	•
Double slice thickness	•	
Special colour	•	•
Special blades	•	
<b>Jacfix</b>	•	•

\*\*Only with power supply 380V three-phase option  
\*\*\*Only available on machines equipped with Automode  
\*\*\*\*Not available on machines equipped with Automode

\*STANDAARDKLEUREN

