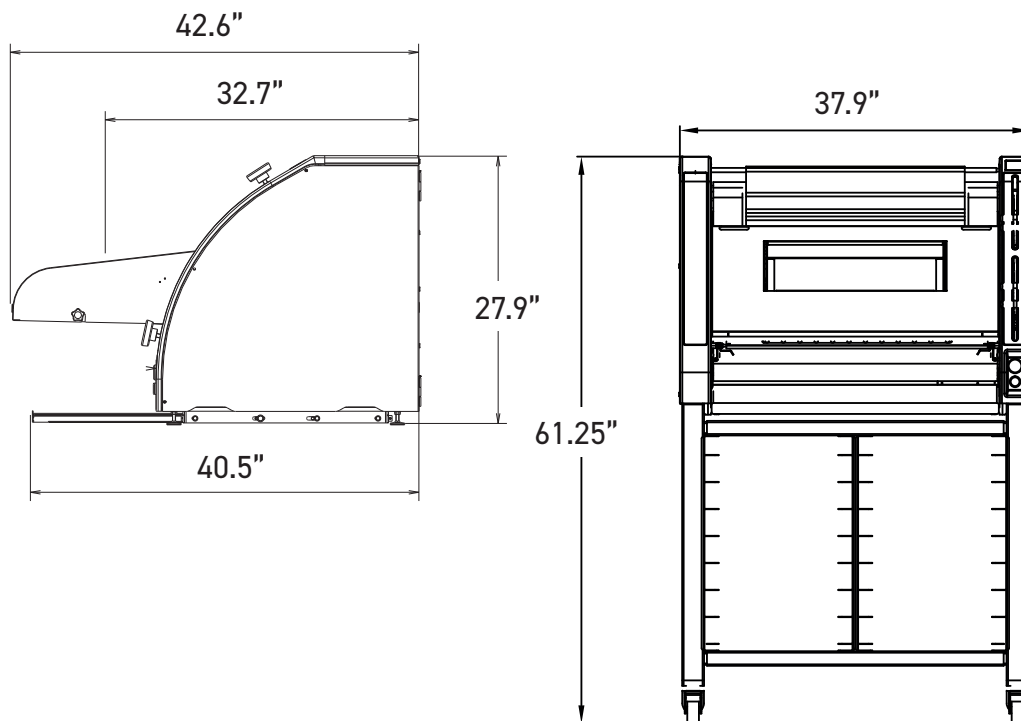
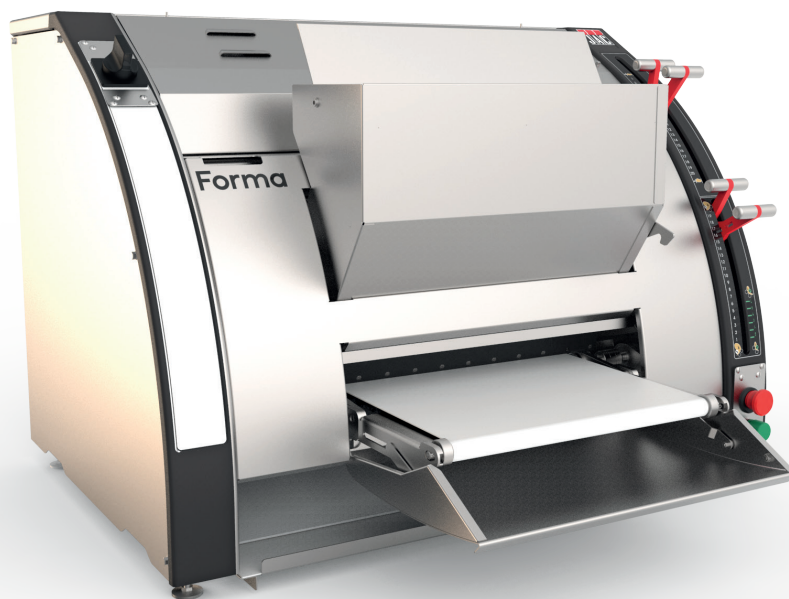
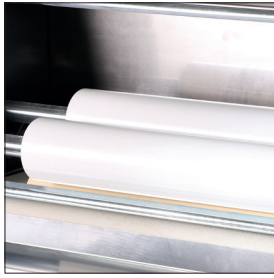




# Forma

- ✓ Vertical moulding to save space
- ✓ Three flattening rollers
- ✓ Additional flatbread module
- ✓ Ergonomic controls
- ✓ Quick belt change
- ✓ Stainless steel exterior
- ✓ 5 years parts / 1 year labor warranty





Three food-grade polyethylene rollers



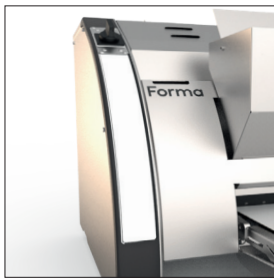
Retractable out-feed table



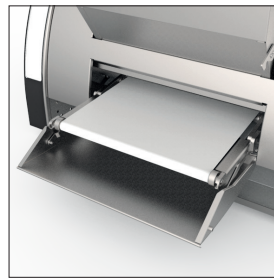
**Adjustable rollers**  
The levers provide a high degree of accuracy and reduces the load on the wrist.



**Forming belt**  
Ultra-quick belt change without disassembling the machine.



**White board for marking product settings**



**Flatbreads**  
Opening the front doors allows you to roll flat dough.

## FEATURES

	<b>FORMA</b>
Min/max weight of dough pieces in ounces	1.76 / 42.3 oz
Three food-grade PETP rollers	•
Maximum speed in pieces per hour	1200
Motor power in kW	1.1
Type of motor	3ph/208V/60Hz/4.8A
Plug Configuration	NEMA L15-20P*
Belt type	Synthetic
Net weight in lbs	440

## OPTIONS

Pointed end belt	•
Outfeed guides	•
Standard wheeled base	•
Wheeled base with storage	•



\* Plug Configuration  
• NEMA L15-20P

**L15-20P**