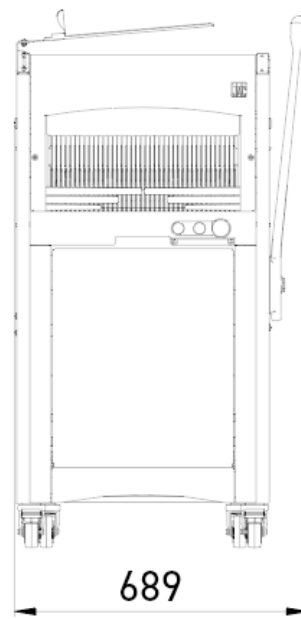
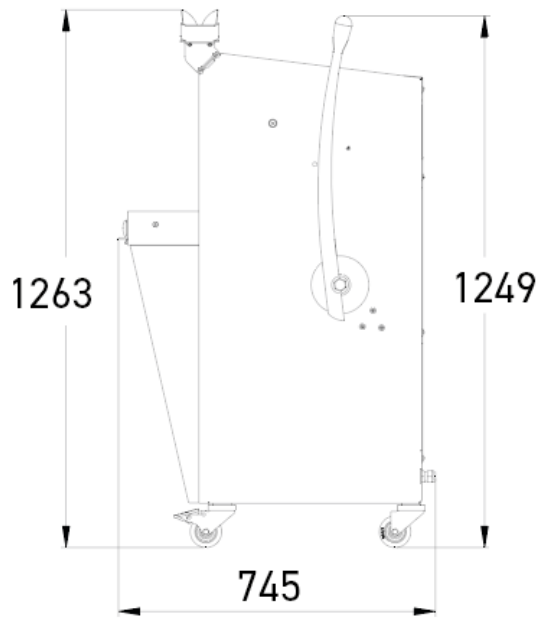


Bread slicers for professionals

MODENA+

- ✓ Robust
- ✓ Sleek lines
- ✓ Progressive traction lever for optimum effort control
- ✓ Silent
- ✓ Good ergonomics





SPECIFICATIONS

| | |
|--|----------------|
| Max. loaf dimensions in cm (L x W x H) | 44 x 30 x 16 |
| Motor power in kW | 0.49 |
| Net weight (in kg) | 165 |
| Blade type and dimensions in mm | 13 x 0.5 steel |

Finition



TECHNICAL SPECIFICATIONS

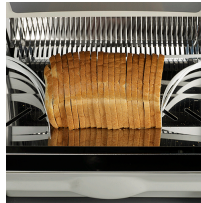
| | |
|---------------------------|--|
| Slice thickness in mm | 9,10,11,12,13,14,15,16,17,18,Double slice thickness (ADDITIONAL COST) |
| Loaf pusher height | Extra low (50mm),Low (80mm),High (100mm) |
| Power supply | 230V single phase ,230V three-phase ,400V three-phase |
| Options (Additional cost) | Heavy duty motor, 4 cm height adjustment, Daily adding counter, Special blades |

MAIN STRENGTHS



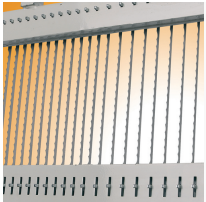
Removable crumb collector

Accessible by tilting the front, cylinder-assisted door. 18 litre capacity.



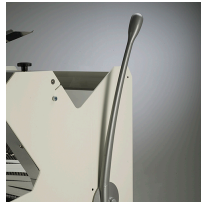
Jacflaps

Holds the loaf together for easier handling when unloading.



Double slice thickness (option)

Allows two different slicing widths on the same machine



Progressive traction lever

Provides better control of effort.