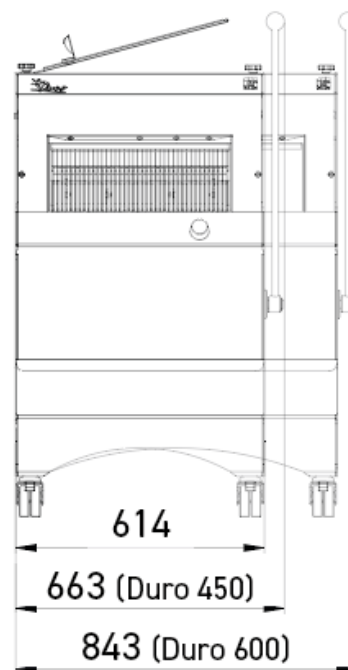
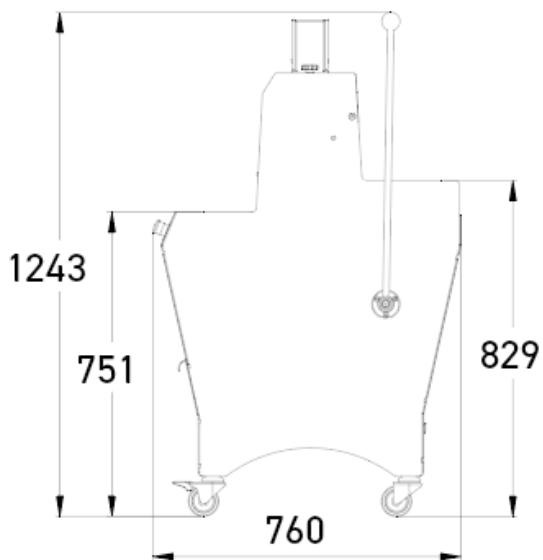


Bread slicers for professionals

# DURO

- ✓ Robust
- ✓ Progressive traction lever for optimum effort control
- ✓ Available in dual slicing



## SPECIFICATIONS

Max. loaf dimensions in cm (L x W x H)	44 x 32 x 16
Motor power in kW	0.49
Net weight (in kg)	150
Blade type and dimensions in mm	13 x 0.5 steel

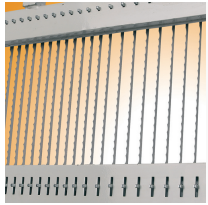
Finition



## TECHNICAL SPECIFICATIONS

Slice thickness in mm	9,10,11,12,13,14,15,16,17,18,Double slice thickness (ADDITIONAL COST)
Loaf pusher height	Extra low (50mm),Low (80mm),High (100mm)
Power supply	230V single phase,230V three-phase,400V three-phase
Options (Additional cost)	Heavy duty motor, 4 cm height adjustment, 8 cm height adjustment, Daily adding counter, Special blades, Rear safety cover

## MAIN STRENGTHS



### Double slice thickness (option)

Allows two different slicing widths on the same machine



### Progressive traction lever

Provides better control of effort.