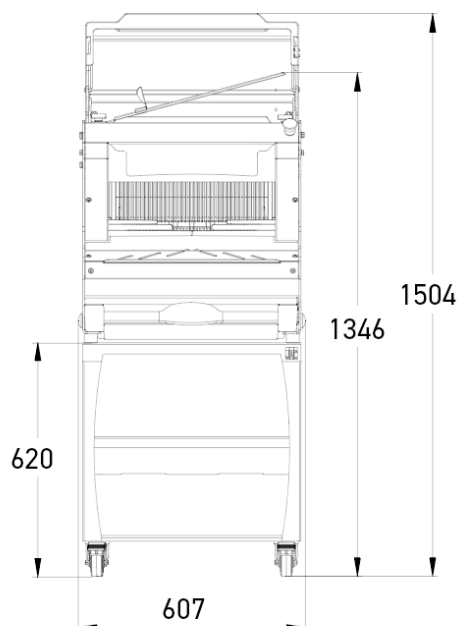
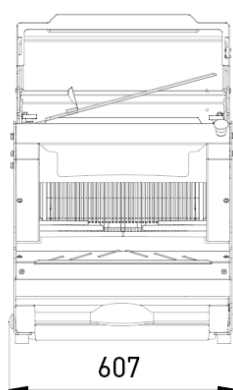
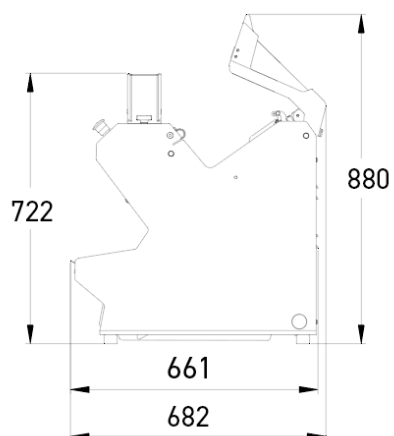


# PICOMATIC

- ✓ Automatic control system of pressure and slicing speed thru ISC ® system : no manual setting needed
- ✓ Automatic control system of the cutting action AutoMode (start and finish) : no buttons or cover (optional)
- ✓ Minimum space requirement
- ✓ Can be used on a counter-top or on an optional wheeled base
- ✓ Front-loading for ergonomic efficiency



## SPECIFICATIONS

Max. loaf dimensions in cm (L x W x H)	44 x 30 x 18
Motor power in kW	0.49
Net weight (in kg)	105
Blade type and dimensions in mm	13 x 0.5 steel

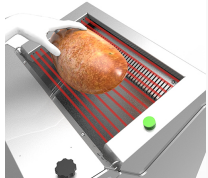
Finition



## TECHNICAL SPECIFICATIONS

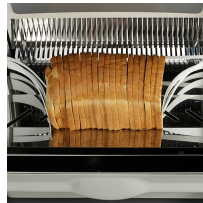
Slice thickness in mm	9,10,11,12,13,14,15,16,17,18,Double slice thickness (ADDITIONAL COST)
Loaf pusher height	Extra low (50mm),85 mm,High (100mm)
Power supply	230V single phase,230V three-phase ,400V three-phase
Options (Additional cost)	Heavy duty motor, Automode, Special blades, Jacfix

## MAIN STRENGTHS



### AutoMode (option)

(JAC patent) Automatic and touchless start and stop. For optimum time management and hygiene. Increased accessibility while maintaining maximum safety level. Maximum output with fewer operations.



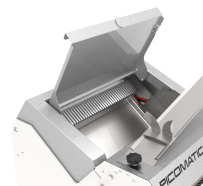
### Jacflaps

Holds the loaf together for easier handling when unloading.



### Jacfix (option)

Holds the loaf together for easier handling at the exit of the slicer.



### Rear safety cover

Closing it initiates the slicing process and it opens automatically when slicing is complete. Not available with the AutoMode option.



### ISC®

Intelligent Slicing Control (JAC patent) is an automatic pressure and slicing speed control system. It adapts the cutting action according to the consistency of the bread. No manual setting needed.



### Wheeled base with two locking casters. (Accessory)

Provides storage space and mobility.