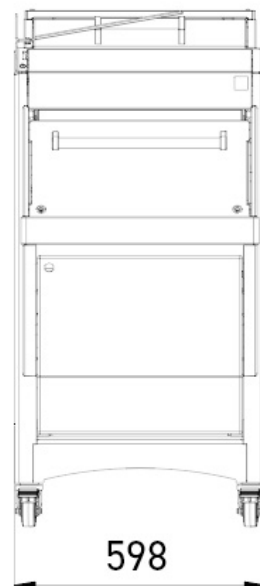
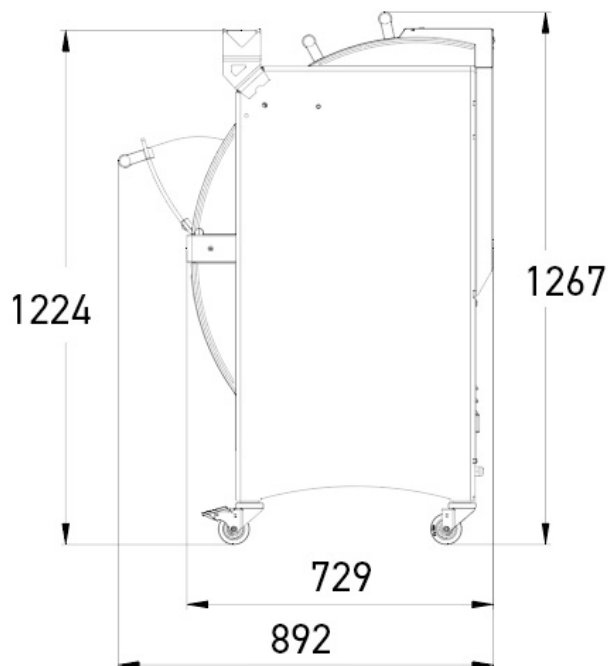


# NEW SELF

- ✓ Maximum safety due to the double cover being locked during during the cutting cycle
- ✓ Removable, ergonomic crumb collector
- ✓ Automatic cutting cycle for simplicity of use
- ✓ Easy users guide
- ✓ Front bumper to protect the machine



## SPECIFICATIONS

Max. loaf dimensions in cm (L x W x H)	44 x 31 x 16
Motor power in kW	0.49
Net weight (in kg)	210
Blade type and dimensions in mm	Steel 13 x 0.5
Intelligent Slicing Concept (JAC patent)	•
JAC FIX	•

Finition



## TECHNICAL SPECIFICATIONS

Slice thickness in mm	9,10,11,12,13,14,15,16,17,18
Loaf pusher height	Extra low (50mm),Low (80mm),High (100mm)
Power supply	230V single phase ,230V three-phase ,400V three-phase
Options (Additional cost)	Heavy duty motor, Users explanatory notice, Double slice thickness, Daily adding counter, Special blades, Bag closing device with tape

## MAIN STRENGTHS



### Front safety cover

Locked during the slicing process for maximum safety.



### Rear safety cover

Closing it initiates the slicing process and it remains mechanically and electrically locked during cutting.



### Jacfix

Holds the loaf together for easier handling at the exit of the slicer.



### ISC®

Intelligent Slicing Control (JAC patent) is an automatic pressure and slicing speed control system. It adapts the cutting action according to the consistency of the bread. No manual setting needed.