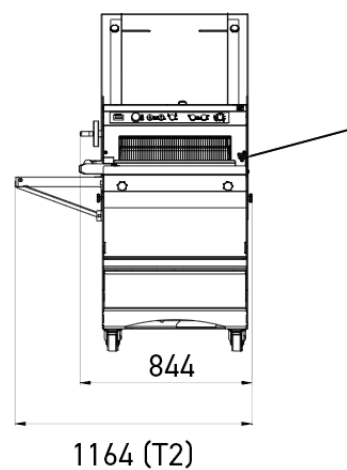
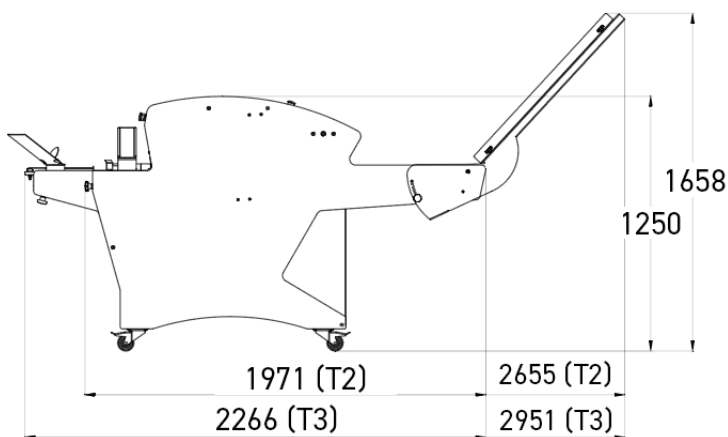


Bread slicers for professionals

FULL

- ✓ Continuous slicing of all types of bread
- ✓ High speed, thanks to motorised drive belts
- ✓ Uncompromising robustness
- ✓ Adjustable speed



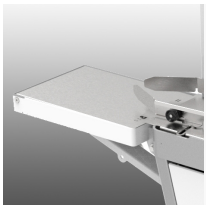
SPECIFICATIONS

Max. loaf dimensions in cm (W x H)	52 x 16
Foldable bag blower	•
Motor power in kW	1.1
Net weight (in kg)	365
Blade type and dimensions in mm	13 x 0.7 steel

TECHNICAL SPECIFICATIONS

Slice thickness in mm	11,12,13,14,15,16,17,18
Power supply	230V three-phase ,400V three-phase

MAIN STRENGTHS



Foldable bag blower (option)

Saves packaging time.



Front control panel

Motorised adjustment of the upper belt height (height of loaves). Next to the front panel controls, a timer accurately records your working time.



Rear loading belt

Provides uniform continuous cutting, thanks to adjustable side guides.



Variable speed drive

Allows the cutting speed to be adjusted to suit the type of bread.