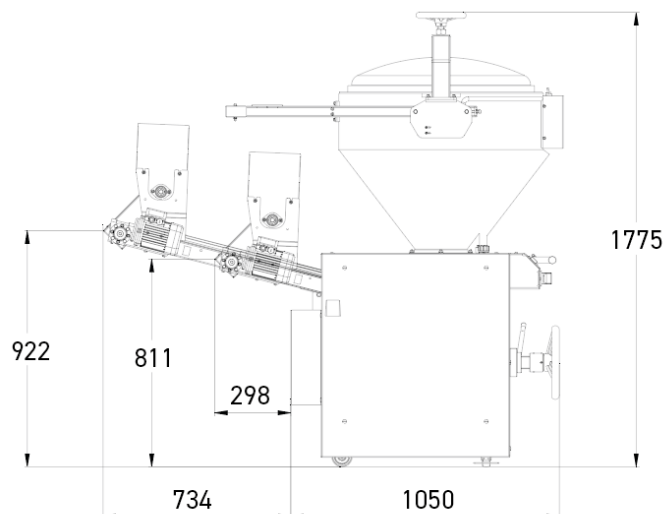
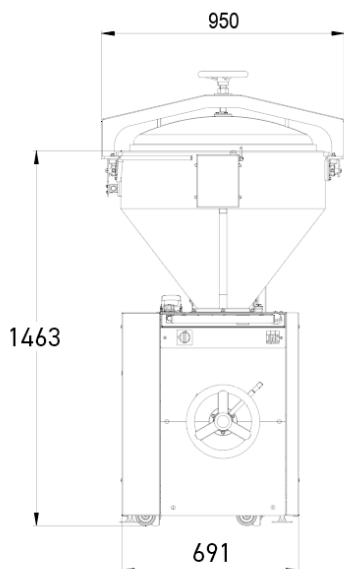


# PESOP

- ✓ Air pressure volumetric divider
- ✓ Stainless steel exterior
- ✓ Regularity and accuracy
- ✓ Strong pace
- ✓ Technology that treats the dough with respect



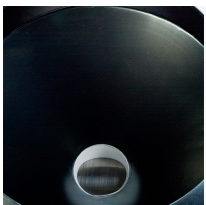
## SPECIFICATIONS

3 programmable speeds in pieces per hour	900 - 2000
Self-contained flour dispenser	•
Stainless steel drum	•
Cast iron piston	•
Countdown counter	•
Oil recycling system	•
370mm long dough-piece outfeed belt	•
Motor power in kW	2.4
Power supply	400V three-phase
Net weight in kg	500

## TECHNICAL SPECIFICATIONS

Piston (Max/min weight of dough pieces in grams)	74mm (80 / 400),95mm (120 / 650),109mm (160 / 850),119mm (250 / 1.000),131mm (320 / 1.300)
Options (Additional cost)	82cm long dough-piece outfeed belt, Chain mail, Power supply 230V single phase, Power supply 230V three phase

## MAIN STRENGTHS



### Air pressure Teflon-coated hopper

With integrated compressor 160 kg capacity.



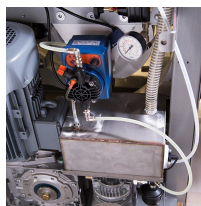
### Dough-piece weight adjustment wheel

Adjusts the weight quickly and accurately



### Self-contained flour dispenser

Prevents the dough pieces from sticking to the belt.



### Oil recycling system

Reduces oil consumption. Fitted with a cartridge filter and low level alert. External filling.