



Traditionally Innovative

NEW SELF



EN – FR – DE – NL – RU – ES – IT – AR

V04-02-2024

NEW SELF

EN- Translation of original user instructions New Self automatic self-service frame slicer.....	5
FR- Notice d'utilisation originale Trancheuse automatique à cadres self-service New Self.....	17
DE- Übersetzung der Originalanleitung Automatische SB-Schneidemaschine New Self.....	29
NL- Vertaling van de originele gebruikershandleiding Automatische snijmachine met kaders voor zelfbediening New Self.....	41
RU- Перевод оригинального руководства по эксплуатации Автоматическая рамочная хлебрезка с самообслуживанием New Self.....	53
ES- Traducción del manual de uso original Cortadora automática a cuadros autoservicio New Self.....	65
IT- Traduzione delle informazioni sull'utilizzo originali Taglierina automatica a telai self-service New Self.....	76
رئسي - ترجمة دليل الاستخدام الأصلي New Self قشاعة عجين أوتوماتيكية بإطارات خدمة ذاتية.....	87

1	BEFORE COMMISSIONING	6
2	WARRANTY	6
3	WARNINGS	7
4	TECHNICAL SPECIFICATIONS	8
4.1	Technical specifications	8
4.2	Details of materials in direct contact with dough	9
5	INSTALLATION AND COMMISSIONING	9
5.1	Unpacking the machine:	9
5.2	Positioning:	9
5.3	Electrical connection:	9
5.4	Commissioning:	10
5.5	Danger:	10
6	CONTROLS AND SAFETY FEATURES	11
6.1	Controls:	11
6.2	Work area:	11
6.3	Safety features:	11
7	OPERATION	11
8	MAINTENANCE	12
8.1	Daily, by a trained operator	12
8.2	Every 25,000 loaves and/or at least once a year, by an approved agent.	12
8.3	Blade replacement	12
9	CONSUMABLES	13
9.1	List of CONSUMABLES	13
10	MALFUNCTIONS	14
11	LIST OF COMPONENTS IN ILLUSTRATIONS	15

1 BEFORE COMMISSIONING

Thank you for choosing a JAC system. It is essential that you read these instructions before installing and commissioning this machine. This will protect you and avoid damaging your machine.

These instructions refer to various illustrations in order to make them easier to understand. These illustrations are at the end of the instructions. Please refer to them whenever you see the following symbols: (fig.X, n°Y).

To ensure that your machine gives you full satisfaction over the coming years, we invite you to familiarise yourself with the following advice:

- Enlist the help of your approved agent for installation, commissioning and service support.

- In order to be covered by the 5-year warranty (see terms and conditions set out below), please have your dealer fill in the service booklet when your machine is being installed. The service booklet is at the back of your machine.

2 WARRANTY



All JAC products are covered by a 5-year warranty.

This warranty is valid for all parts on your machine, including electronic components but excluding consumables. The warranty takes effect on the date the equipment is installed.

Subject to the following restrictive conditions:

- Equipment acquired from an approved dealer;
- Installation carried out by an approved agent;
- Equipment used in accordance with the instructions for use and for the intended purpose for which it was manufactured;
- Equipment serviced on a daily basis in compliance with the instructions for use;
- Regular servicing by the approved agent in compliance with service specifications, with at least one service a year (servicing chargeable to the user).
- Exclusive use of genuine JAC parts.



If there is no record of servicing by an approved agent and/or if the service booklet has not been filled in correctly, warranty cover will be limited to one year.

This warranty does not cover:

- Replacement of consumables (§9);
- Parts not accepted as defective by our company;
- Problems due to improper use of the equipment;
- Problems due to installation not carried out by an approved agent;
- Parts or problems due to transit damage or improper handling.

Repairing and/or replacing defective parts during the warranty period does not bring about an extension of said warranty.

3 WARNINGS

It is most important that these user instructions be kept with the machine for any future reference. Should this machine be sold or transferred to another user, please ensure that the user instructions are handed over so that the new user can be familiarised with its operation and the warnings associated with it.



These warnings are given for your safety and that of others. We would therefore ask you to read them carefully before installing and using the machine.

This machine has been designed for use by authorised adults. Please therefore ensure that children do not touch it or use it as a toy.

This machine is intended exclusively for professional use.

It is dangerous to modify or attempt to modify the specifications of this machine.

After having installed this machine, please ensure that it is not standing on the power cable.

Follow the instructions given for its use.

This machine must be stored and used in an indoor room, protected from moisture and heat.

This machine must be adequately illuminated to operate it.

The noise level of this machine does not exceed 75 dB(A) in accordance with EN ISO 3744.

This machine must be used by one person at a time (unless otherwise specified).

This machine is intended for slicing baked bread which has cooled down.



This machine is not intended for the following breads and the following materials:

- Warm bread, stale bread.
- Frozen or partially thawed bread.
- Wholemeal breads with a hard crust and other types of bread with a hard crust.
- Rye breads.
- Non-edible products such as wood, plastic and similar materials.
- Any food that is not included in the bread and loaf cake category.

The machine may be damaged when cutting bread or materials for which the machine is not intended.

Damage to the machine, including the knives, may create a risk of injury to the user or third parties. Do not operate the machine and have it repaired by an authorized agent before any further use.



Residual risks: the machine is built according to the state of the art and the applicable safety regulations. Nevertheless, its use may lead to risks of injury for the user or third parties or damage to the machine or other property. These risks include access to the sharp side of the knives.



Always disconnect the mains supply before cleaning the machine inside/outside and when carrying out maintenance.

The machine must never be cleaned or hosed down with a water hose or high-pressure cleaner.

Operation of the machine in an explosive environment is not intended.

Information regarding non-ionizing radiation;

Non-ionizing radiation is not specifically generated, but only for technical reasons from the electrical equipment (e.g. electric motors, power lines or permanent magnets. If a safe distance (distance from field source to implant) of 30 cm is maintained, active implants (e.g. pacemaker, defibrillation) can be affected. be excluded with a high degree of probability.

It should be noted that the contents of the crumb tray are not suitable for consumption.

This machine is heavy. Take all necessary safety precautions when handling it.

4 TECHNICAL SPECIFICATIONS

4.1 Technical specifications

	NEW SELF 450	NEW SELF 450M
Height (mm)	1267	1267
Width (mm)	598	598
Depth (mm)	892	892
Entry channel length (mm)	310	300
Entry channel width (mm)	440	440
Entry channel height (mm)	160	160
Packaging (mm)	800 x 860 x 1600	800 x 860 x 1600
Net weight (kg)	210	220
Net weight + packing (kg)	230	240
Motor power rating (kW)	0.49	1.1
Motor type	Single-phase or three-phase	Three-phase
220 V - 50 Hz (A)	5	-
380 V - 50 Hz (A)	3.2	3.2
Capacity (loaves/hour)	200<500	200<500
Noise level (dB)	<70	<70

Heavy duty motor	optional
JACSTOP	optional
Users' explanatory notice	optional
4 cm added height	optional
Daily incremental counter	optional
Special colour	optional
Special blades	optional

4.2 Details of materials in direct contact with dough.

Rear table: STAINLESS STEEL 430

Loaf pusher: STAINLESS STEEL 430

Loaf holder: STAINLESS STEEL 430

Blades: Steel

Delivery table: STAINLESS STEEL 430

Bagger: STAINLESS STEEL 430

5 **INSTALLATION AND COMMISSIONING**

5.1 Unpacking the machine:

Machines are delivered from our works on pallets, strapped and protected with cardboard. First of all, the packaging must be examined and any damage caused in transit must be declared directly to the carrier.

- A. Remove the cardboard and the packaging bag from the machine.
- B. Remove straps, taking particular care when they are released by cutting.
- C. Detach the machine from its pallet by removing the wooden battens wedging the castors.
- D. Take the machine off the pallet. Make sure you do this with at least two people in order to lower it as gently as possible onto the floor.

After unpacking your machine, check that it has not been damaged in transit. Notify us of any defects.

5.2 Positioning:

In order to achieve excellent performance and long-term reliability, choose a location that is:

Well ventilated, shielded from direct sunlight and away from sources of heat, with a flat and sturdy surface free from vibration.

5.3 Electrical connection:

We point out that the mains disconnection device must be easily accessible even after the machine has been installed.

IMPORTANT: This machine must be earthed.

It is recommended that the system be protected with a fuse and an RCD.

Your mains electricity supply to the machine must be protected as indicated below:

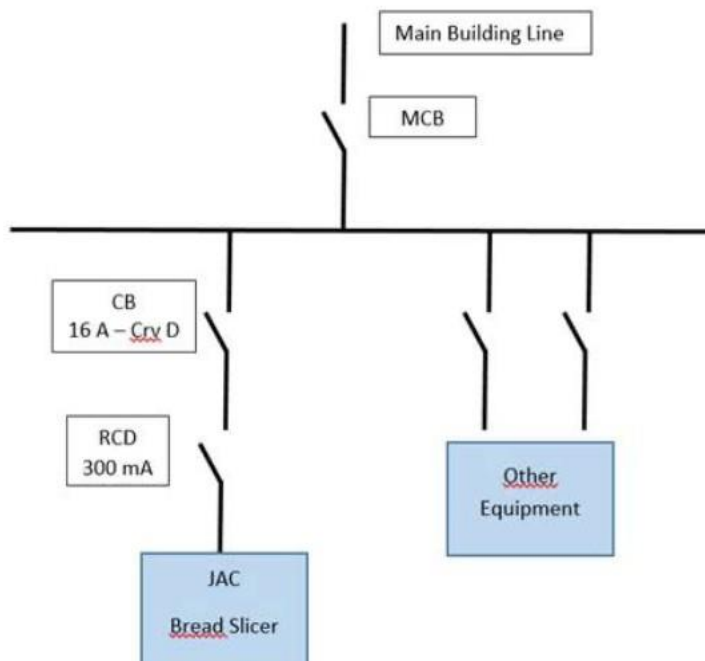
- North America: 15 A protection;
 - Rest of the world: 16 A protection.
 For machines equipped with a variable speed drive, it is imperative that they be connected to a junction box on a circuit fitted with a 300 mA RCD.

Note: Any problem resulting from any other type of connection will not be covered under warranty.

Before connecting your machine to the mains supply and in order to prevent the motor from burning out when it is switched on, it is important to check that the mains supply matches the machine specification (see machine nameplate).

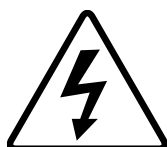
This machine complies with Machinery Directives 2006/42, 2006/95, 2004/108 and is CE marked as proof of this.

Please familiarise yourself with the safety pictograms displayed on the machine:



This pictogram indicates a cut hazard. You will find it at the front of the machine around the loaf positioning area (fig.10, n°20).

You will find the circuit diagram for the machine on the back of the electrical enclosure door (fig.10, n°22).



This pictogram indicates an electrocution hazard. Please isolate the machine before carrying out any work on it. You will find it at the back of the machine close to the power cable and inside the machine on the electrical enclosure (fig.10, n°21).

5.4 Commissioning:

Before commissioning, ensure that there are no extraneous objects interfering with the machine's moving parts.

For machine operation, please refer to the "Operation" chapter.

5.5 Danger:

If the user or the machine is in danger, you must use the main isolator switch to cut the power supply to the machine.

Remove the plug from the power socket before any maintenance and/or servicing work.
 Do not touch the blade, even if it is stationary.

To replace the blade, have the work done by your approved dealer.

Always wear cut-resistant gloves when replacing blades or when working in the vicinity of the blade.
Any maintenance work or replacement of parts must be carried out by a qualified individual.

6 CONTROLS AND SAFETY FEATURES

6.1 Controls:

As your machine is fully automatic, closing the top cover operates machine start-up.

6.2 Work area:

The work area is at the front of the machine (fig.3, n°17).

6.3 Safety features:

This machine is equipped with:

A mechanical safety switch

Located at the back of the top cover

Which stops the machine when the top cover is opened (fig.1, n°1).

A mechanical interlock

Which prevents the top cover from being opened while the machine is in operation.

A mechanical interlock

Which prevents the front cover from being opened while the machine is in operation (fig.7, n°19).

A mechanical safety switch

Located at the bottom of the machine, above the crumb tray

Which prevents the machine from starting when the front door is opened (fig.1, n°5).

7 OPERATION

Braked castors must be locked while the machine is in operation (fig.1, n°13).

Switch on the power to the machine at the start of the day using the emergency stop (fig.1, n°10).

Operating procedure (fig.4,5)

A. Open the top cover (fig.1, n°1).

B. Place the loaf on the rear table (fig.1, n°3), between the blades and the moving section, and close the lid. Closing the lid activates the slicing process.

C. The front cover unlocks at the end of the slicing cycle. Open it and retrieve the sliced loaf.

NB: Some machines are equipped (as an option) with a JAC Stop (an automatic slice holding system) (fig.6, n°18).

Tip: Have a qualified individual check blade tension after the first few days of operation.

Capacity: Number of loaves sliced per day: 6,000 (depending on the type of bread).
Loaf size (L x W x H) (cm): min.: 12 x 6 x 6 - max.: 44 x 31 x 16

8 MAINTENANCE

8.1 Daily, by a trained operator.

- A. Check whether you need to empty the crumb tray.
- B. Clean the tables (fig.1, n°6, 3) using a brush.
- C. Use a dry cloth to clean the inside.
- D. Use a damp cloth to clean the outside.

8.2 Every 25,000 loaves and/or at least once a year, by an approved agent.

- A. Remove the plug from the socket (fig.2, n°16).
- B. Check the condition of the cutting blades (fig.1, n°4).
- C. If you notice a deterioration in cutting quality, the cutting blades must be replaced (JAC part number: 610001, 6110011 in the JAC Spare Parts catalogue).
- D. If the blades need to be replaced, do so in accordance with the blade replacement procedure (fig.8, 9).
NB: Do not overtighten the blades, as this risks distorting the frames.
- E. Sweep and vacuum the inside of the machine.
- F. Check bearing condition, then lubricate them.
- G. Lubricate the actuator joints.

Check that your approved agent has recorded his work in your service booklet in order to maintain your 5-year warranty cover.

8.3 Blade replacement, by an approved agent.

(fig.8,9)

Always wear cut-resistant gloves (EN 388:2003 version B= 5) and safety footwear when replacing the blade or when working in the vicinity of the blade.

Having ensured that the plug on your machine (fig.2, n°16) has been disconnected from the mains: Open the front door (fig.1, n°5).

Remove the stainless steel table from the front of the machine.

- A. Remove the bagging paddle.
- B. Unscrew the JAC Fix slice holding system on both sides and remove it.
- C. Unscrew the front table on the inner sides of the machine.
- D. Pivot the front table towards you.
- E. Remove the front table.
- F. Unscrew the cover.
- G. Open the cover that protects the blade holder frames.
- H. On the left-hand inner side, pivot the frame screw cap so that you can insert the 8 mm Allen key from the outside of the machine. Remove screw **A** securing the front frame link.
- I. Lay the frame down forwards. Replace the blades on the rear frame (place something to protect yourself on the front frame blades). Remove the locknuts on screws **B** (Misch machines). Remove the blade-tightening Allen screws **B**. Replace the blades, checking that they locate correctly in the swing arm pins. Retighten the blades by tightening screws **B**, using

the blades remaining on the frame as a reference. Then tighten the nuts (machine fitted with lubrication option).

In order not to distort the frame and avoid the risk of dangerous breakages, only replace 1 to 3 blades at a time alternating from left to right.

Resume the procedure from point I for the front frame and refit the front frame and the cover sections.

Connect your machine to the mains supply; it is now ready.

Check that your approved agent has recorded his work in your service booklet in order to maintain your 5-year warranty cover.

9 CONSUMABLES

When ordering spare parts, check with your approved agent which part is required based on the spare parts catalogue issued by the manufacturer.

Always quote the machine serial number shown on the nameplate.

Your agent will place the orders with JAC.

9.1 List of CONSUMABLES

ITEM CODE	DESCRIPTION	MODEL
5310020	SPRING, Ø 9 X 28 MM	ALL
7390031	RETAINING BAR FLAP	ALL
7390030	JAC STOP FLAP	ALL
5740162	FRAME LINK WITH BEARINGS	ALL
6110001	JAC KNIFE, 13 MM/0.5 MM	NEW SELF 450
6110011	JAC KNIFE, 13 MM/0.5 MM + TEFLON	NEW SELF 450M
5690221	REAR COVER FRONT PAD	ALL
5690222	REAR COVER RH REAR PAD	ALL
5690223	REAR COVER LH REAR PAD	ALL
5315014	GAS SPRING, 10 N	ALL
7240031	BELT	ALL
5690010	SLIDE PAD, 100 MM	ALL
5690151	LOAF HOLDER PAD	ALL
5310019	LOAF HOLDER SPRING	ALL
6120002	PUSHER FELT PAD	NEW SELF 450M

10 MALFUNCTIONS

Problem	Check
The machine is not running	Connect the machine using the cable (fig.2, n°16).
	Close the top cover.
	Close the front cover.
The machine is running, but the loaves are damaged or cut unevenly	Check whether the blades need replacing (fig.8,9).
	Leave the bread to cool down for a few hours.
	Feed in a loaf of the specified size.
	Feed in a loaf that is sufficiently firm.
	If the blades are misaligned, adjust the blades and frames.
The bread vibrates between the blades	If the blades are misaligned, adjust the blades and frames.
The bread is cut too slowly	Check whether the blades need replacing (fig.8,9).
The bread tears	If the blades are misaligned, adjust the blades and frames.
	Check whether the blades need replacing (fig.8,9).
The bread emerges very slowly or remains between the blades	Check whether the blades need replacing (fig.8,9).
The bread is squashed coming out of the blades	Check whether the blades need replacing (fig.8,9).

WARNING: The machine must be isolated from the power supply before attempting any work on it.



Should the problem persist, please contact your technician.

11 LIST OF COMPONENTS IN ILLUSTRATIONS

Figure	Item	Description
1	1	Top cover
	2	Loaf pusher
	3	Rear table
	4	Blades
	5	Front cover
	6	Delivery table
	7	Front bumper
	8	Crumb tray
	9	Bagger
	10	Counter
	11	Oil counter reset
	12	Oil level indicator (Misch)
	13	Castor
2	14	Rear panel
	15	Electrical enclosure panel
	16	Power cable
3	17	Work area
6	18	JAC Stop slice holding system
7	19	Front cover lock
10	20	"Cut hazard" sign
	21	"Electrocution hazard" sign
	22	Circuit diagram

1	AVANT LA MISE EN SERVICE	18
2	GARANTIE	18
3	AVERTISSEMENTS	19
4	CARACTERISTIQUES TECHNIQUES	20
4.1	Caractéristiques techniques.....	20
4.2	Détail des matériaux en contact direct avec la pâte.....	21
5	INSTALLATION ET MISE EN SERVICE	21
5.1	Déconditionnement de la machine.....	21
5.2	Emplacement	21
5.3	Raccordement électrique.....	21
5.4	Mise en service.....	22
5.5	Danger.....	23
6	ORGANE DE COMMANDE ET DE SECURITE	23
6.1	Organe de commande	23
6.2	Zone de travail	23
6.3	Organes de sécurité	23
7	UTILISATION	24
8	ENTRETIEN	24
8.1	Journalier par un utilisateur formé.....	24
8.2	Toutes les 25 000 coupes et/ou 1 fois par an au minimum, par un agent agréé	24
8.3	Changement des lames.....	25
9	CONSOMMABLES	25
9.1	Liste des CONSOMMABLES	26
10	INCIDENTS DE FONCTIONNEMENT	27
11	LISTE DES COMPOSANTS SUR LES FIGURES	28

1 AVANT LA MISE EN SERVICE

Merci d'avoir choisi une solution JAC. Veuillez impérativement lire ce mode d'emploi avant d'installer et de mettre en service cette machine. Vous pourrez ainsi vous protéger et éviter de détériorer votre machine.

Cette notice fait référence à différentes figures afin de faciliter la compréhension des instructions. Ces figures se trouvent en fin de notice. Veuillez vous y référer dès que vous rencontrez les symboles suivants (fig.x, n°y).

Pour que votre machine vous donne entière satisfaction au cours des prochaines années, nous vous invitons à prendre connaissance des conseils suivants :

- Faites-vous aider par votre agent agréé pour l'installation, la mise en service et le suivi.
- Afin de pouvoir bénéficier de la garantie de 5 ans (voir conditions reprises ci-après), faites compléter le carnet d'entretien par votre distributeur lors de l'installation de votre machine. Ce carnet d'entretien se trouve à l'arrière de votre machine.

2 GARANTIE



JAC offre une garantie de 5 ans sur tous ses produits.

Cette garantie est valable sur toutes les pièces de votre machine, pièces électroniques incluses, hors consommables. La garantie prend effet à la date d'installation du matériel.

Sous les conditions restrictives suivantes :

- matériel acquis auprès d'un revendeur agréé ;
- installation effectuée par un agent agréé ;
- utilisation du matériel conformément aux indications du mode d'emploi et dans le but pour lequel il a été fabriqué ;
- matériel quotidiennement entretenu conformément aux indications du mode d'emploi ;
- entretiens suivis par l'agent agréé conformément aux spécifications d'entretien avec, au minimum, un entretien par an (entretien à charge de l'utilisateur) ;
- utilisation exclusive des pièces d'origine JAC.



S'il n'y a pas de suivi d'entretien par un agent agréé et/ou que le carnet d'entretien n'est pas correctement complété, la garantie se limite à un an.

Cette garantie ne couvre pas :

- le remplacement des consommables (§9) ;
- les pièces non reconnues défectueuses par nos services ;
- les problèmes résultant d'une utilisation anormale du matériel ;
- les problèmes résultant d'une installation non effectuée par un agent agréé ;
- les pièces ou les problèmes résultant d'un dégât de transport ou d'une manutention inappropriée.

Une réparation et/ou un remplacement de pièces défectueuses effectué(es) durant la période de garantie n'a (n'ont) pas pour effet de prolonger ladite garantie.

Il est très important que cette notice d'utilisation soit conservée avec l'appareil pour toute future consultation. Si cet appareil devait être vendu ou transféré à une autre personne, assurez-vous que la notice d'utilisation soit remise de façon à ce que l'utilisateur puisse être informé de son fonctionnement et des avertissements s'y rapportant.



Ces avertissements sont donnés pour votre sécurité et pour celle d'autrui. Nous vous prions donc de bien vouloir les lire attentivement avant d'installer et d'utiliser l'appareil.

Cette machine a été conçue pour être utilisée par des adultes autorisés. Veillez donc à ce que les enfants n'y touchent pas ou qu'ils ne l'utilisent pas comme un jouet.

Cette machine est prévue pour un usage Self-Service.

Il est dangereux de modifier ou d'essayer de modifier les caractéristiques de cette machine.

Après l'installation de cette machine, assurez-vous qu'elle ne repose pas sur le câble d'alimentation.

Suivez les instructions données pour l'utilisation.

Cette machine doit être stockée et utilisée à l'intérieur, dans un local à l'abri de l'humidité et de la chaleur.

Cette machine doit être suffisamment éclairée pour effectuer le travail.

Cette machine a un niveau sonore inférieur à 75 dB(A), suivant la norme EN ISO 3744.

Cette machine doit être utilisée par une seule personne à la fois (sauf prescription contraire).

Cette machine est destinée au tranchage de pains cuits et tempérés.

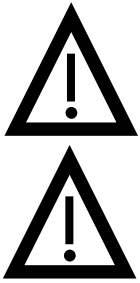


Cette machine n'est pas destinée aux pains et matériaux suivants :

- pains chauds, pains rassis ;
- pains congelés, ou partiellement décongelés ;
- pains complets avec une croûte dure et d'autres types de pain avec une croûte dure ;
- pains de seigle ;
- produits non comestibles comme le bois, le plastique et matériaux similaires ;
- tout aliment qui ne fait pas partie de la catégorie des pains ou des cakes.

La machine peut être endommagée lors de la coupe de pains ou matériaux non autorisés.

Un endommagement de la machine, notamment des couteaux, peut créer un risque de blessures pour l'utilisateur ou des tiers. N'utilisez pas la machine et faites la remettre en état par un agent agréé avant toute utilisation.



Risques résiduels : la machine est construite selon l'état de l'art et les règles de sécurité applicables. Néanmoins, son utilisation peut entraîner des risques de blessures pour l'utilisateur ou des tiers ou des dommages à la machine ou à d'autres biens. Ces risques incluent notamment l'accès au côté tranchant des couteaux.

Toujours débrancher la prise de courant avant de procéder au nettoyage intérieur/extérieur de l'appareil et aux opérations de maintenance.

La machine ne doit jamais être nettoyée ou arrosée avec un tuyau d'eau ou un nettoyeur haute pression.

L'utilisation de la machine dans une atmosphère potentiellement explosive n'est pas prévue.

Informations concernant les rayonnements non ionisants ;

Les rayonnements non ionisants ne sont pas spécifiquement générés, mais uniquement pour des raisons techniques par les équipements électriques (par exemple, moteurs électriques, lignes électriques ou aimants permanents. Si une distance de sécurité (distance de la source de champ à l'implant) de 30 cm est maintenue, ex. stimulateur cardiaque, défibrillation) peut être affecté. Exclu avec un degré de probabilité élevé.

Il est à noter que le contenu du ramasse-miettes n'est pas propre à la consommation.

Cet appareil est lourd. Prenez toutes les précautions de sécurité lors de sa manutention.

4 CARACTERISTIQUES TECHNIQUES

4.1 Caractéristiques techniques

	NEW SELF 450	NEW SELF 450M
Hauteur (mm)	1267	1267
Largeur (mm)	598	598
Profondeur (mm)	892	892
Longueur du canal d'entrée (mm)	310	300
Largeur du canal d'entrée (mm)	440	440
Hauteur du canal d'entrée (mm)	160	160
Colisage (mm)	800 x 860 x 1600	800 x 860 x 1600
Poids net (kg)	210	220
Poids NET + emballage (kg)	230	240
Puissance moteur (kW)	0,49	1,1
Type moteur	Monophasé ou triphasé	Triphasé
220v - 50Hz (A)	5	-
380v - 50Hz (A)	3,2	3,2
Capacité (pains/heure)	200<500	200<500
Niveau sonore (dB)	<70	<70

Moteur renforcé	option
------------------------	--------

JACSTOP	option
Affiche explicative	option
Surélévation de 4 cm	option
Compteur journalier	option
Couleur spéciale	option
Couteaux spéciaux	option

4.2 Détail des matériaux en contact direct avec la pâte

Table arrière : INOX 430

Pousse-pains : INOX 430

Presse-pains : INOX 430

Lames : Acier

Table de réception : INOX 430

Ensachoir : INOX 430

5 **INSTALLATION ET MISE EN SERVICE**

5.1 Déconditionnement de la machine

Les machines sont livrées, sorties de nos ateliers, sur palettes, sanglées et protégées par du carton. Avant toute chose, l'emballage doit être observé et tout dommage dû au transport doit être déclaré directement au livreur.

- A. Retirer le carton ainsi que le sachet d'emballage de la machine.
- B. Enlever les sangles en faisant particulièrement attention à la détente de ces dernières lors de leur sectionnement.
- C. Désolidariser la machine de sa palette en enlevant les lattes de bois qui bloquent les roulettes.
- D. Descendre la machine de la palette. Veiller à faire cette manipulation à au moins deux personnes afin d'amortir au mieux le contact avec le sol.

Après déballage de la machine, vérifier qu'elle n'a pas subi de dommages pendant le transport. Nous signaler toute anomalie.

5.2 Emplacement

Pour obtenir d'excellentes performances et une fiabilité à long terme, choisir un emplacement :

Bien ventilé, à l'abri du rayonnement solaire direct et éloigné des sources de chaleur, avec une surface plane et robuste exempte de vibrations.

5.3 Raccordement électrique

IMPORTANT: Cette machine doit être raccordée à la terre.

Il est recommandé de protéger le système avec un disjoncteur (CB) associé à un dispositif de courant résiduel (RCD).

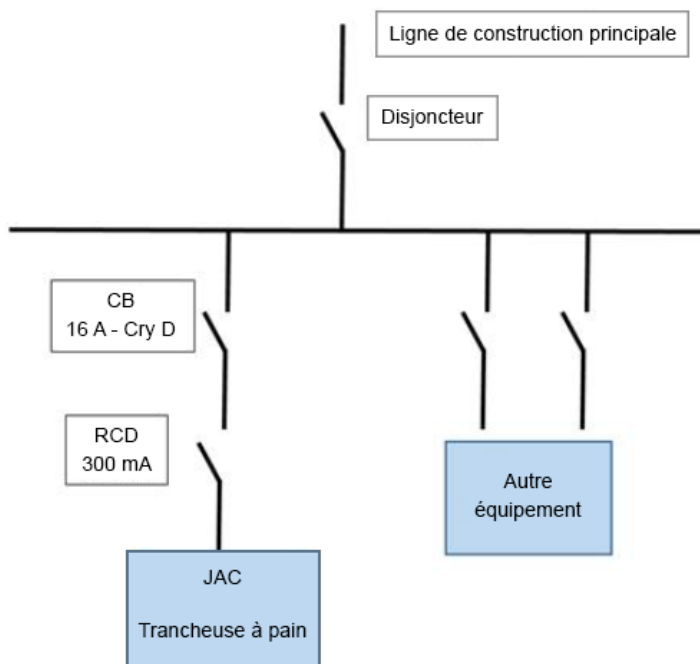
Le circuit d'alimentation de la machine ne doit pas être utilisé pour alimenter d'autres équipements.

Le disjoncteur (CB) du circuit d'alimentation de la machine, doit être installé comme indiqué ci-dessous:

- Amérique du Nord: 15 A Courbe D de protection;
- Reste du monde: 16 A Courbe D de protection.

Le dispositif de courant résiduel (RCD) du circuit d'alimentation de la machine, doit être installé comme indiqué ci-dessous:

- 300 mA RCD



Note : Tout problème résultant d'un autre type de raccordement ne sera pas pris en compte par la garantie.

Avant de connecter la machine au réseau et afin d'éviter une mise hors service du moteur à la mise sous tension, il est important de vérifier la concordance du réseau d'alimentation avec les caractéristiques de la machine (voir plaque signalétique de celle-ci).

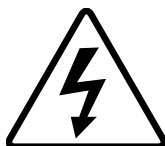
Cet appareil est conforme aux Directives Machines 2006/42/CE, 2014/35/UE, 2014/30/UE et porte le marquage CE attestant cette conformité.

Veuillez prendre connaissance des pictogrammes de sécurité figurant sur la machine :



Pictogramme signalant un risque de coupure. Vous le retrouverez à l'avant de la machine autour de la zone de dépose du pain (fig.10, n°20).

Vous trouverez le schéma électrique de la machine sur le verso de la porte du coffret électrique (fig.10, n°22).



Pictogramme signalant un risque d'électrocution. Veuillez débrancher la machine avant toute intervention sur celle-ci. Vous retrouverez ce pictogramme à l'arrière de la machine à proximité du câble d'alimentation et à l'intérieur de la machine sur le coffret électrique (fig.10, n°21).

5.4 Mise en service

Avant la mise en service, s'assurer de l'absence de tout objet parasite sur les parties en mouvement de la machine.

Pour l'utilisation de la machine, se reporter au chapitre « Utilisation ».

5.5 Danger

En cas de danger pour l'utilisateur ou pour la machine, utiliser l'interrupteur général pour couper l'alimentation de la machine.

Retirer la fiche de la prise électrique avant toute opération de maintenance et d'entretien.
Ne pas toucher la lame, même à l'arrêt.

Pour le changement de lame, faire faire l'opération par votre distributeur agréé.

Veiller à toujours porter des gants de protection anti-coupure lors du remplacement des lames ou lors d'une opération au voisinage des lames.

Toute opération de maintenance ou de remplacement de pièce doit être effectuée par une personne qualifiée.

6 **ORGANE DE COMMANDE ET DE SECURITE**

6.1 Organe de commande

Votre machine étant totalement automatique, la fermeture du capot supérieur actionne la mise en marche de la machine.

6.2 Zone de travail

La zone de travail se situe devant la machine (fig.3, n°17).

6.3 Organes de sécurité

Cette machine est équipée :

D'un interrupteur de sécurité mécanique

Se trouvant à l'arrière du capot supérieur

Qui arrête la machine lorsqu'on ouvre le capot supérieur (fig.1, n°1).

D'un verrouillage mécanique

Empêchant l'ouverture du capot supérieur pendant le fonctionnement de la machine.

D'un verrouillage mécanique

Empêchant l'ouverture du capot avant pendant le fonctionnement de la machine (fig.7, n°19).

D'un interrupteur de sécurité mécanique

Se trouvant dans le bas de la machine, au-dessus du bac à miettes

Qui empêche la machine de démarrer lorsqu'on ouvre la porte avant (fig.1, n°5).

7 UTILISATION

Les roulettes pourvues d'un frein doivent être bloquées pour l'utilisation (fig.1, n°13).

En début de journée, mettre la machine sous tension à l'aide de l'arrêt d'urgence (fig.1, n°10).

Procédure d'utilisation (fig.4, 5)

- A. Ouvrir le capot supérieur (fig.1, n°1).
- B. Placer le pain sur la table arrière (fig.1, n°3), entre les lames et la partie mobile et fermer le couvercle. La fermeture du couvercle active le processus de coupe.
- C. En fin de cycle de coupe, le capot avant se déverrouille. L'ouvrir et récupérer le pain coupé.

NB : Certaines machines sont équipées (en option) d'un JAC Stop (système automatique de maintien des tranches) (fig.6, n°18).

Conseil : Après les premiers jours de travail, faire contrôler la tension des lames par une personne qualifiée.

Capacité : Nombre de pains coupés par jour : 6000 (en fonction du type de pain).
Dimensions du pain (L x l x h) (cm) : min. 12 x 6 x 6 - max. 44 x 31 x 16

8 ENTRETIEN

8.1 Journalier par un utilisateur formé

- A. Vérifier s'il ne faut pas vider le bac à miettes.
- B. Nettoyer les tables (fig.1, n°6, 3) à l'aide d'une brosse.
- C. Utiliser un chiffon sec pour le nettoyage intérieur.
- D. Pour l'entretien extérieur, utiliser un chiffon humide.

8.2 Toutes les 25 000 coupes et/ou 1 fois par an au minimum, par un agent agréé

- A. Retirer la fiche de la prise (fig.2, n°16).
- B. Vérifier l'état des lames de coupe (fig.1, n°4).
- C. Si une dépréciation de la qualité de la coupe est notée, il faut procéder au remplacement des lames de coupe (référence JAC : 610001,6110011 du catalogue de Pièces de Rechange JAC).
- D. Si elles sont à changer, remplacer les lames conformément à la procédure de changement des lames de coupe (fig.8, 9).
NB : Ne pas tendre les lames à l'excès, au risque de déformer les cadres.
- E. Nettoyer à la brosse et aspirer l'intérieur de la machine.
- F. Vérifier l'état des roulements, ensuite graisser ceux-ci.
- G. Graisser les articulations du vérin.

Bien vérifier que votre agent agréé enregistre son intervention dans votre carnet d'entretien afin de conserver votre garantie de 5 ans.

8.3 Changement des lames, par un agent agréé

(fig.8, 9)

Veiller à toujours porter des gants de protection anti-coupure (Norme EN 388 : 2003 indice B= 5) et des chaussures de sécurité lors du remplacement de la lame ou lors d'une opération au voisinage des lames.

Après s'être assuré que la fiche de la machine (fig.2, n°16) est bien déconnectée du secteur :

Ouvrir la porte avant (fig1, n°5).

Retirer la table inox à l'avant de la machine.

- A. Retirer la palette d'ensachage.
- B. Dévisser des deux côtés le système de maintien des tranches JAC Fix et le retirer.
- C. Dévisser la table avant sur les côtés intérieurs de la machine.
- D. Faire pivoter la table avant vers soi.
- E. Retirer la table avant.
- F. Dévisser la coiffe.
- G. Ouvrir la coiffe qui protège les cadres support lames.
- H. Sur le côté gauche intérieur, faire pivoter le cache-vis de cadre afin de pouvoir rentrer la clé 6 pans creux de 8 mm par l'extérieur de la machine. Desserrer la vis **A** qui fixe la biellette au cadre avant.
- I. Coucher le cadre vers l'avant. Remplacer les lames du cadre arrière (déposer de quoi se protéger sur les lames du cadre avant). Desserrer les contre-écrous des vis **B** (machines Misch). Desserrer les vis **B** 6 pans creux qui tendent les lames. Remplacer les lames en contrôlant qu'elles soient bien placées dans l'ergot des balanciers. Retendre les lames en serrant les vis **B** avec, comme repère pour la tension, les lames restées sur le cadre. Serrer ensuite les écrous (machine équipée de l'option huilage).

Afin de ne pas déformer le cadre et de ne pas risquer de casses dangereuses, ne remplacer que 1 à 3 lame(s) à la fois en alternant de gauche à droite.

Recommencer la procédure du point I pour le cadre avant et remonter le cadre avant ainsi que les éléments d'habillage.

Connecter la machine au réseau électrique, la machine est prête.

Bien vérifier que votre agent agréé enregistre son intervention dans votre carnet d'entretien afin de conserver votre garantie de 5 ans.

9 **CONSOMMABLES**

Lors d'une commande d'une pièce de rechange, vérifier avec votre agent agréé de quelle pièce il s'agit sur la base du catalogue de pièces de rechange émis par le fabricant.

Toujours préciser le numéro de machine comme indiqué sur la plaque signalétique.

Votre agent effectue les commandes auprès de JAC.

9.1 Liste des CONSOMMABLES

CODE ARTICLE	LIBELLE	MODELE
5310020	RESSORT Ø9X28MM	TOUTES
7390031	FLAPS BARRE DE RETENUE	TOUTES
7390030	FLAPS JAC STOP	TOUTES
5740162	BIELLETTE DE CADRE AVEC ROULEMENTS	TOUTES
6110001	COUTEAU JAC 13MM/0,5MM	NEW SELF 450
6110011	COUTEAU JAC 13MM/0,5MM + TEFLON	NEW SELF 450M
5690221	PATIN AVANT CAPOT ARRIERE	TOUTES
5690222	PATIN ARRIERE DROIT CAPOT ARRIERE	TOUTES
5690223	PATIN ARRIERE GAUCHE CAPOT ARRIERE	TOUTES
5315014	RESSORT A GAZ 10N	TOUTES
7240031	COURROIE	TOUTES
5690010	PATIN DE GLISSIERE 100MM	TOUTES
5690151	PATIN PRESSE PAIN	TOUTES
5310019	RESSORT PRESSE-PAIN	TOUTES
6120002	FEUTRE POUSSOIR	NEW SELF 450M

Problème	Vérification
La machine ne tourne pas	Brancher la machine à l'aide du câble (fig.2, n°16)
	Fermer le capot supérieur
	Fermer le capot avant
La machine fonctionne, mais les pains sont endommagés ou coupés de manière irrégulière	Vérifier s'il ne faut pas remplacer les lames (fig.8, 9)
	Laisser le pain refroidir quelques heures
	Introduire un pain aux dimensions acceptées
	Introduire un pain assez ferme
	Si les lames sont désalignées, régler les lames et les cadres
Le pain vibre dans les lames	Si les lames sont désalignées, régler les lames et les cadres
Le pain se coupe trop lentement	Vérifier s'il ne faut pas remplacer les lames (fig.8, 9)
Le pain se déchire	Si les lames sont désalignées, régler les lames et les cadres
	Vérifier s'il ne faut pas remplacer les lames (fig.8, 9)
Le pain sort très lentement ou reste dans les lames	Vérifier s'il ne faut pas remplacer les lames (fig.8, 9)
Le pain est écrasé en sortie des lames	Vérifier s'il ne faut pas remplacer les lames (fig.8, 9)

ATTENTION : La machine doit obligatoirement être mise hors tension pour toute intervention.



Si le problème persiste, veuillez contacter votre technicien.

11 LISTE DES COMPOSANTS SUR LES FIGURES

Figure	Bulle	Nom
1	1	Capot supérieur
	2	Pousse-pains
	3	Table arrière
	4	Lames
	5	Capot avant
	6	Table de réception
	7	Pare-chocs
	8	Bac à mies
	9	Ensachoir
	10	Compteur
	11	Reset compteur d'huile
	12	Voyant niveau d'huile (Misch)
	13	Roulettes
2	14	Tôle arrière
	15	Tôle coffret électrique
	16	Câble d'alimentation
3	17	Zone de travail
6	18	Système de maintien tranches JAC Stop
7	19	Verrouillage capot avant
10	20	Signalétique « risque de coupure »
	21	Signalétique « risque d'électrocution »
	22	Schéma électrique

1	VOR DER INBETRIEBNAHME	30
2	GARANTIE	30
3	WARNHINWEISE	31
4	TECHNISCHE DATEN	32
4.1	Technische Daten.....	32
4.2	Materialien der Teile, die in Kontakt mit dem Schnittgut kommen.....	33
5	INSTALLATION UND INBETRIEBNAHME.....	33
5.1	Auspacken der Maschine:.....	33
5.2	Aufstellung:	34
5.3	Anschluss an die Stromversorgung:	34
5.4	Inbetriebnahme:.....	35
5.5	Gefahr:.....	35
6	BEDIENELEMENT UND SICHERHEITSVORRICHTUNG	35
6.1	Bedienelement:.....	35
6.2	Arbeitsbereich:	35
6.3	Sicherheitseinrichtungen:.....	35
7	BEDIENUNG.....	36
8	INSTANDHALTUNG.....	36
8.1	Taglich durch einen eingewiesenen Bediener:	36
8.2	Nach 25.000 Schnitten und/oder mindestens ein Mal jahrlich durch einen zugelassenen Vertreter:.....	36
8.3	Austausch der Messer	37
9	ERSATZTEILE.....	38
9.1	ERSATZTEILLISTE	38
10	STÖRUNGEN UND FEHLER.....	39
11	LISTE DER ABGEBILDETEN TEILE UND FUNKTIONEN	40

1 VOR DER INBETRIEBNAHME

Vielen Dank, dass Sie sich für ein Gerät von JAC entschieden haben. Bitte lesen Sie diese Bedienungsanleitung vor der Installation und Inbetriebnahme dieser Maschine aufmerksam durch. Dies dient zu Ihrer Sicherheit und zum Schutz der Maschine vor Schäden.

Diese Bedienungsanleitung enthält Verweise auf verschiedene Abbildungen, die das Verständnis der Anleitungen erleichtern. Die Abbildungen befinden sich am Schluss der Bedienungsanleitung. Bitte schlagen Sie die jeweilige Abbildung anhand des angegebenen Verweises (Fig. X, Nr. Y) nach.

Damit Sie sich viele Jahre an dieser Maschine erfreuen können, möchten wir Sie bitten, die folgenden Hinweise zu berücksichtigen:

- Lassen Sie sich bei der Installation, der Inbetriebnahme und der weiteren Nutzung von Ihrem zugelassenen Vertreter unterstützen.
- Um die Garantie von fünf Jahren (siehe nachfolgende Garantiebestimmungen) in Anspruch nehmen zu können, lassen Sie bitte von Ihrem Vertriebshändler bei der Installation Ihrer Maschine das Wartungsheft ausfüllen. Das Wartungsheft befindet sich an der Rückseite Ihrer Maschine.

2 GARANTIE



JAC bietet auf alle seine Produkte eine Garantie von fünf Jahren.

Diese Garantie erstreckt sich auf alle Teile Ihrer Maschine, auch auf die elektronischen Bauteile, außer Verschleißteile. Die Garantiefrist beginnt zum Zeitpunkt der Installation der Anlage.

Es gelten die folgenden Beschränkungen:

- Das Produkt wurde bei einem zugelassenen Vertragshändler erworben.
- Die Installation wurde von einem zugelassenen Vertreter vorgenommen.
- Das Produkt wurde im Rahmen seines bestimmungsgemäßen Gebrauchs und entsprechend der Bedienungsanleitung verwendet.
- Das Produkt wurde täglich entsprechend den Vorgaben der Bedienungsanleitung instandgehalten.
- Die Wartung wird durch einen zugelassenen Vertreter entsprechend den Wartungsvorgaben durchgeführt und findet mindestens einmal jährlich statt (auf Kosten des Anwenders).
- Es werden ausschließlich Originalersatzteile von JAC verwendet.



Sofern keine Wartung durch einen zugelassenen Vertreter erfolgt bzw. das Wartungsheft nicht ordnungsgemäß ausgefüllt ist, ist die Garantie auf ein Jahr begrenzt.

Diese Garantie deckt nicht:

- den Ersatz von Verschleißteilen (siehe Abschnitt 9);
- Teile, die unser Kundendienst nicht als defekt anerkennt;

- Probleme, die sich aus einer ungewöhnlichen Nutzung des Produktes ergeben;
- Probleme, die darauf zurückzuführen sind, dass die Installation nicht durch einen zugelassenen Vertreter durchgeführt wurde;
- Beschädigungen oder Probleme, die auf einen Transportschaden oder auf die unsachgemäße Handhabung des Produktes zurückzuführen sind.

Die Durchführung einer Reparatur und/oder der Ersatz defekter Teile während der Garantiefrist führen nicht zur Verlängerung der Garantiefrist.

3 WARNHINWEISE

Bitte bewahren Sie diese Bedienungsanleitung unbedingt mit Ihrem Gerät zum späteren Nachlesen auf. Bei Verkauf oder Weitergabe Ihres Gerätes übergeben Sie bitte diese Bedienungsanleitung an den neuen Besitzer bzw. Benutzer, damit dieser über die Funktionsweise des Gerätes und die Warnhinweise informiert ist und diese befolgen kann.



Diese Warnhinweise dienen zu Ihrer Sicherheit und der Sicherheit anderer. Bitte lesen Sie die Warnhinweise vor der Installation und Verwendung Ihres Gerätes aufmerksam durch.

Diese Maschine ist für die Verwendung durch befugte erwachsene Personen bestimmt. Stellen Sie sicher, dass die Maschine nicht von Kindern berührt oder als Spielzeug benutzt wird.

Diese Maschine wird im Self-Service eingesetzt.

Eine Modifizierung bzw. versuchte Modifizierung der Eigenschaften und Merkmale dieser Maschine ist gefährlich.

Stellen Sie nach der Installation dieser Maschine sicher, dass diese nicht auf dem Netzkabel steht.

Befolgen Sie stets die Anleitungen zur Bedienung und Verwendung.

Die Maschine ist in einem Innenraum und gegen Feuchtigkeit und Hitze geschützt aufzustellen.

Die Maschine muss zur Durchführung der Arbeiten ausreichend ausgeleuchtet sein.

Der Geräuschpegel der Maschine liegt unter 75 dB(A) und entspricht damit der EN ISO 3744.

Die Maschine darf nicht von mehreren Personen gleichzeitig benutzt werden (es sei denn, die Anleitung gibt etwas Anderes vor).

Die Maschine dient zum Schneiden abgekühlter Brotlaibe.



Diese Maschine darf nicht zum Schneiden der folgenden Brote, Artikel und Materialien verwendet werden:

- Warmes Brot, altbackenes Brot
- Gefrorenes oder halb aufgetautes Brot
- Vollwertbrot mit harter Kruste und andere Brotsorten mit harter Kruste

- Roggenbrot
- Ungenießbare Produkte wie Holz, Kunststoff oder Ähnliches
- Lebensmittel, die nicht zur Gruppe der Backwaren (speziell Brote und Kuchen) gehören.

Die Verwendung der Maschine zum Schneiden nicht zulässiger Brote, Artikel und Materialien kann zur Beschädigung der Maschine führen.

Beschädigungen an der Maschine, einschließlich der Messer, können eine Verletzungsgefahr für den Benutzer oder Drittpersonen darstellen. Betreiben Sie das Gerät nicht und lassen Sie es vor jeder weiteren Verwendung von einem autorisierten Vertreter reparieren.



Restrisiken: Die Maschine ist nach dem Stand der Technik und den geltenden Sicherheitsvorschriften gebaut. Dennoch kann die Verwendung zu Verletzungsgefahren für den Benutzer oder Drittpersonen und zu Schäden an der Maschine oder sonstigem Eigentum führen. Zu diesen Risiken gehört der Zugang zur scharfen Seite der Messer.



Vor Reinigungsarbeiten innen und außen am Gerät und vor Wartungsarbeiten immer den Netzstecker ziehen.

Die Maschine darf nie mit dem Wasserschlauch o. Den Hochdruckreiniger gereinigt, abgespritzt werden.

Nicht bestimmungsgemäß ist der Betrieb der Maschine in explosionsgefährdeter Umgebung.

Information betreffend Nichtionisierende Strahlung;

Nicht-ionisierende Strahlung wird nicht gezielt erzeugt, sondern lediglich technisch bedingt von den elektrischen Betriebsmitteln (z.B. von Elektromotoren, Kraftstromleitungen oder Permanentmagnete. Bei Einhaltung eines Sicherheitsabstandes (Abstand Feldquelle zu Implantat) von 30 cm kann die Beeinflussung aktiver Implantate (z.B. Herzschrittmacher, Defibrillatoren) mit hoher Wahrscheinlichkeit ausgeschlossen werden.

Es wird darauf hingewiesen dass der Inhalt der Krümelschublade nicht zum Verzehr geeignet ist.

Dieses Gerät ist sehr schwer. Beim Transport und Bewegen des Gerätes sind angemessene Vorsichtsmaßnahmen zu ergreifen.

4 TECHNISCHE DATEN

4.1 Technische Daten

	NEW SELF 450	NEW SELF 450M
Höhe (mm)	1267	1267
Breite (mm)	598	598
Tiefe (mm)	892	892
Länge der Schneidkammer (mm)	310	300

Breite der Schneidkammer (mm)	440	440
Höhe der Schneidkammer (mm)	160	160
Verpackungsmaße (mm)	800 x 860 x 1600	800 x 860 x 1600
Nettogewicht (kg)	210	220
Nettogewicht + Verpackung (kg)	230	240
Motorleistung (kW)	0,49	1,1
Motortyp	Einphasig oder dreiphasig	dreiphasig
220 V - 50 Hz (A)	5	-
380 V - 50 Hz (A)	3,2	3,2
Kapazität (Brote/Stunde)	200<500	200<500
Geräuschpegel (dB)	<70	<70

Verstärkter Motor	Option
JACSTOP	Option
Bedienhinweis	Option
Erhöhung um 4 cm	Option
Tageszähler	Option
Sonderfarbe	Option
Spezialmesser	Option

4.2 Materialien der Teile, die in Kontakt mit dem Schnittgut kommen

hinterer Tisch: EDELSTAHL 430
Brotschieber: EDELSTAHL 430
Brotpresse: EDELSTAHL 430
Messer: Stahl
Ausgabetisch: EDELSTAHL 430
Brotablage: EDELSTAHL 430

5 INSTALLATION UND INBETRIEBNAHME

5.1 Auspacken der Maschine:

Unsere Maschinen werden zur Lieferung ab Werk auf Paletten verpackt, mit Umreifungsbändern gesichert und mit einer Kartonverpackung geschützt. Prüfen Sie die Verpackung bei Erhalt auf Beschädigungen und teilen Sie dem Spediteur etwaige Transportschäden direkt mit.

- A. Entfernen Sie die Kartonverpackung und die Folie von der Maschine.
- B. Entfernen Sie die Umreifungsbänder und bedenken Sie dabei, dass diese beim Durchschneiden aufspringen.
- C. Lösen Sie die Maschine durch Entfernen der Holzleisten, welche die Räder sichern, von der Palette.

- D. Heben Sie die Maschine von der Palette. Dies muss durch mindestens zwei Personen erfolgen, so dass die Maschine möglichst sicher auf dem Boden abgesetzt werden kann.

Die Maschine nach dem Auspacken auf Transportschäden überprüfen. Melden Sie uns bitte alle Fehler und Schäden.

5.2 Aufstellung:

Um eine hohe Leistung, eine lange Lebensdauer und einen zuverlässigen Betrieb sicherzustellen, sollte der Aufstellort wie folgt beschaffen sein:

Gut belüftet, vor direkter Sonneneinstrahlung geschützt, in ausreichender Entfernung zu Wärmequellen, mit ebenem, tragfähigem und schwingungsfreiem Boden.

5.3 Anschluss an die Stromversorgung:

Wir weisen darauf hin, darauf hin, daß die Netztrenneinrichtung auch nach einbau der Maschine gut zugänglich sein muß.

WICHTIG: Die Erdung der Maschine ist vorgeschrieben.

Wir empfehlen den Schutz der Anlage durch eine Sicherung und einen FI-Schutzschalter.

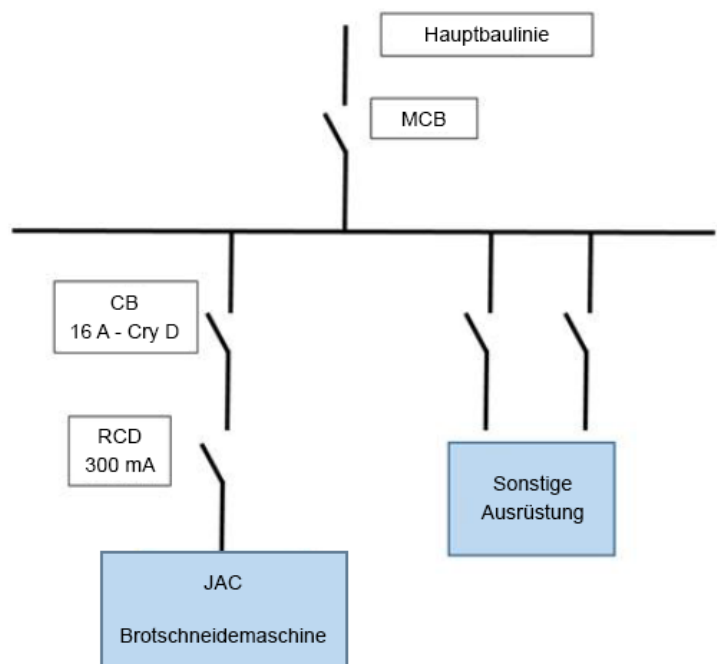
Ihr Stromnetz zur Versorgung der Maschine muss folgendermaßen geschützt werden:

- Nordamerika: Schutz 15 A;
- Rest der Welt: Schutz 16 A.

Maschinen mit Stromrichter müssen zwingend über einen FI-Schutzschalter für 300 mA angeschlossen werden.

Hinweis: Probleme und Störungen, die sich durch abweichende Ausführung des Anschlusses ergeben, sind nicht durch die Garantie gedeckt.

Prüfen Sie vor dem Anschließen der Maschine an das Stromnetz unbedingt, ob die Stromversorgung für die Maschine geeignet ist (siehe Angaben auf dem Typenschild), um einen Motorschaden beim Einschalten zu vermeiden.



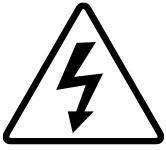
Dieses Gerät entspricht den Maschinenrichtlinien 2006/42, 2006/95, 2004/108 und ist daher mit dem CE-Zeichen gekennzeichnet.

Bitte beachten Sie die an der Maschine angebrachten Warnsymbole:



Warnsymbol zur Anzeige der Schneidgefahr. Dieses Warnsymbol befindet sich auf der Vorderseite der Maschine im Bereich der Brotaufnahme. (Fig. 10, Nr. 20)

Den Schaltplan der Maschine finden Sie auf der Rückseite der Schaltkastentür. (Fig. 10, Nr. 22)



Warnsymbol zur Anzeige der Gefahr eines tödlichen Stromschlags. Die Maschine vor jedem Eingriff vom Stromnetz nehmen. Das Warnsymbol ist an der Rückseite der Maschine neben dem Netzanschluss sowie im Inneren der Maschine auf dem Schaltkasten angebracht. (Fig. 10, Nr. 21)

5.4 Inbetriebnahme:

Vor der Inbetriebnahme sicherstellen, dass sich keine Fremdkörper auf den beweglichen Teilen der Maschine befinden.

Weitere Informationen zur Verwendung der Maschine erhalten Sie im Abschnitt „Bedienung“.

5.5 Gefahr:

Bei einer Gefahr für den Anwender oder die Maschine ist die Maschine über den Hauptschalter auszuschalten.

Vor Wartungs- oder Instandsetzungsmaßnahmen den Netzstecker ziehen.

Die Klinge niemals berühren, und zwar auch dann nicht, wenn die Maschine abgeschaltet ist.

Das Messer muss von einem zugelassenen Vertreter ausgetauscht werden.

Tragen Sie beim Austausch der Messer und bei Arbeiten direkt im Bereich des Messers stets Schutzhandschuhe, um sich gegen Schnittverletzungen zu schützen.

Wartungsmaßnahmen und der Austausch von Ersatzteilen dürfen nur durch eine qualifizierte Person erfolgen.

6 BEDIENELEMENT UND SICHERHEITSVORRICHTUNG

6.1 Bedienelement:

Da es sich um eine vollautomatische Maschine handelt, wird sie durch das Schließen der oberen Abdeckung eingeschaltet.

6.2 Arbeitsbereich:

Der Arbeitsbereich befindet sich an der Vorderseite der Maschine (Fig. 3, Nr. 17).

6.3 Sicherheitseinrichtungen:

Diese Maschine ist mit folgenden Sicherheitseinrichtungen ausgestattet:

einem mechanischen Sicherheitsschalter,

der sich hinter der oberen Abdeckung befindet und die Maschine anhält, wenn die obere Abdeckung geöffnet wird (Fig. 1, Nr. 1);

einer mechanischen Verriegelung,

die das Öffnen der oberen Abdeckung während des Maschinenbetriebs verhindert;

einer mechanischen Verriegelung,

die das Öffnen der vorderen Abdeckung während des Maschinenbetriebs verhindert (Fig. 7, Nr. 19);

einem mechanischen Sicherheitsschalter,

an der Maschinenunterseite oberhalb des Krümelbehälters

und der den Betrieb der Maschine bei geöffneter Vordertür verhindert (Fig. 1, Nr. 5).

7 BEDIENUNG

Vor dem Betrieb die mit Bremsen versehenen Räder feststellen (Fig. 1, Nr. 13).

Die Maschine bei Tagesbeginn über den Not-Aus einschalten

(Fig. 1, Nr. 10).

Bedienung (Fig. 4, 5)

A. Die obere Abdeckung (Fig. 1, Nr. 1) öffnen.

B. Das Brot auf dem hinteren Tisch (Fig. 1, Nr. 3) zwischen den Messern und dem beweglichen Teil ablegen und den Deckel schließen. Durch das Schließen des Deckels wird der Schneidprozess aktiviert.

C. Am Ende des Schneidzyklus wird die vordere Abdeckung entriegelt. Diese öffnen und das geschnittene Brot entnehmen.

HINWEIS: Manche Maschinen sind optional mit einem JAC Stop ausgestattet (automatisches System zum Halten der Scheiben) (Fig. 6, Nr. 18).

Tipp: Nach den ersten Betriebstagen die Spannung der Messer durch eine qualifizierte Person überprüfen lassen.

Kapazität: Anzahl der geschnittenen Brote pro Tag: 6.000 (je nach Brotsorte).

Brotgrößen: (L x L x H) (cm): min. 12 x 6 x 6 - max. 44 x 31 x 16

8 INSTANDHALTUNG

8.1 Täglich durch einen eingewiesenen Bediener:

- A. Prüfen, ob das Krümelfach geleert werden muss.
- B. Die Tische (Fig. 1, Nr. 6, 3) mit einer Bürste reinigen.
- C. Den Innenbereich mit einem trockenen Tuch reinigen.
- D. Zur Reinigung außen ein feuchtes Tuch verwenden.

8.2 Nach 25.000 Schnitten und/oder mindestens ein Mal jährlich durch einen zugelassenen Vertreter:

- A. Den Stecker aus der Steckdose ziehen (Fig. 2, Nr. 16).

- B. Den Zustand der Messer überprüfen (Fig. 1, Nr. 4).
- C. Soweit die Schneidqualität nachgelassen hat, muss das Messer ausgetauscht werden (JAC Bestellnummer: 610001,6110011 Ersatzteilkatalog JAC)
- D. Das Messer ist entsprechend dem für den Austausch der Messer vorgeschriebenen Verfahren auszutauschen (Fig. 8, 9).
HINWEIS: Die Messer nicht zu stark spannen - andernfalls können die Rahmen verformen.
- E. Mit der Bürste reinigen und den Innenbereich der Maschine absaugen.
- F. Den Zustand der Lager überprüfen und diese schmieren.
- G. Die Zylindergelenke schmieren.

Hier bitte sicherstellen, dass Ihr zugelassener Vertreter diese Maßnahmen im Wartungsheft festhält, um Ihren Garantieanspruch von fünf Jahren zu erhalten.

8.3 Austausch der Messer durch einen zugelassenen Vertreter

(Fig. 8, 9)

Beim Austausch der Messer oder bei Arbeiten in der Umgebung der Messer müssen Schnittschutzhandschuhe (Norm EN 388: 2003, Index B = 5) sowie Sicherheitsschuhe getragen werden.

Sich zunächst vergewissern, dass der Netzstecker der Maschine (Fig. 2, Nr. 16) gezogen ist.

Die vordere Tür öffnen (Fig. 1, Nr. 5).

Den Edelstahltisch an der Vorderseite der Maschine herausziehen.

- A. Das Beutelblech entfernen.
- B. Das System zum Halten der Scheiben JAC Fix an beiden Seiten abschrauben und entnehmen.
- C. Den vorderen Tisch an den Innenseiten der Maschine abschrauben.
- D. Den vorderen Tisch zu sich drehen.
- E. Den vorderen Tisch herausziehen.
- F. Die Abdeckung abschrauben.
- G. Die Abdeckung der Messertragrahmen öffnen.
- H. An der linken Innenseite die Schraubenabdeckungen vom Rahmen weg drehen, um den Innensechskantschlüssel von 8 mm von außen ansetzen zu können. Die Schraube **A** abschrauben, die das Gestänge des vorderen Rahmens hält.
- I. Den Rahmen nach vorne umklappen. Die Messer des hinteren Rahmens austauschen (einen Schutz auf die Messer des vorderen Rahmens legen). Die **B**-Gegenmuttern lösen (Misch-Maschinen). Die sechs Innensechskantschrauben **B** zum Spannen der Messer lösen. Die Messer austauschen und dabei darauf achten, dass sie ordnungsgemäß auf dem Führungszapfen der Ausleger sitzen. Die Messer durch Anziehen der **B-Schrauben** wieder spannen und sich dabei an der Spannung der verbleibenden Messer im Rahmen orientieren. Anschließend die Muttern anziehen (Maschinen mit Schmiersystem).

Um den Rahmen nicht zu verformen und um zu verhindern, dass es zu gefährlichen Schäden kommt, nur ein bis drei Messer auf ein Mal und abwechselnd von links nach rechts austauschen.

Für den vorderen Rahmen das Verfahren ab Punkt I wiederholen und den vorderen Rahmen und die Verkleidungselemente wieder einsetzen.

Die Maschine mit dem Stromnetz verbinden. Die Maschine ist betriebsbereit.

Hier bitte sicherstellen, dass Ihr zugelassener Vertreter diese Maßnahmen im Wartungsheft festhält, um Ihren Garantieanspruch von fünf Jahren zu erhalten.

9 ERSATZTEILE

Um Ersatzteile für Ihre Maschine zu bestellen, lassen Sie von Ihrem Vertreter anhand des Ersatzteilkatalogs des Herstellers prüfen, um welche Teile es sich genau handelt. Dazu immer die Maschinenummer übermitteln, die auf dem Typenschild steht. Ihr Vertreter bestellt das Ersatzteil dann bei JAC.

9.1 ERSATZTEILLISTE

ARTIKELCODE	BEZEICHNUNG	MODELL
5310020	FEDER Ø 9 X 28 MM	ALLE
7390031	FLAPS HALTERIEGEL	ALLE
7390030	FLAPS JAC STOP	ALLE
5740162	RAHMENGESTÄNGE MIT LAGERN	ALLE
6110001	JAC-MESSER 13 MM/0,5 MM	NEW SELF 450
6110011	JAC-MESSER 13 MM/0,5 MM + TEFLON	NEW SELF 450M
5690221	VORDERER GLEITSCHUH ABDECKUNG HINTEN	ALLE
5690222	HINTERER GLEITSCHUH RECHTS ABDECKUNG HINTEN	ALLE
5690223	HINTERER GLEITSCHUH LINKS ABDECKUNG HINTEN	ALLE
5315014	GASFEDER 10N	ALLE
7240031	RIEMEN	ALLE
5690010	GLEITSCHUH 100 MM	ALLE
5690151	GLEITSCHUH BROTPRESSE	ALLE
5310019	FEDER BROTPRESSE	ALLE
6120002	FILZ SCHIEBER	NEW SELF 450M

Problem	Fehlersuche
Die Maschine funktioniert nicht.	Die Maschine über das Kabel anschließen (Fig. 2, Nr. 16).
	Die obere Abdeckung schließen.
	Die vordere Abdeckung schließen.
Die Maschine funktioniert, das Brot wird jedoch zerdrückt oder ungleichmäßig geschnitten.	Möglicherweise müssen die Messer ausgetauscht werden (Fig. 8, 9)
	Lassen Sie das Brot einige Stunden lang abkühlen.
	Schneiden Sie nur Brote passender Größe.
	Schneiden Sie nur ausreichend feste Brote.
	Wenn die Messer nicht ausgerichtet sind, die Messer und Rahmen einstellen.
Das Brot vibriert zwischen den Messern.	Wenn die Messer nicht ausgerichtet sind, die Messer und Rahmen einstellen.
Das Brot wird zu langsam geschnitten.	Möglicherweise müssen die Messer ausgetauscht werden (Fig. 8, 9)
Das Brot wird zerrissen.	Wenn die Messer nicht ausgerichtet sind, die Messer und Rahmen einstellen.
	Möglicherweise müssen die Messer ausgetauscht werden (Fig. 8, 9)
Das Brot wird nur sehr langsam ausgegeben oder bleibt im Bereich der Messer stecken.	Möglicherweise müssen die Messer ausgetauscht werden (Fig. 8, 9)
Das Brot wird am Ende der Messer zusammengedrückt.	Möglicherweise müssen die Messer ausgetauscht werden (Fig. 8, 9)

VORSICHT: Vor allen Eingriffen an der Maschine ist die Maschine zwingend von der Stromversorgung zu trennen.



Bei Anhalten des Problems wenden Sie sich bitte an Ihren Servicetechniker.

11 LISTE DER ABGEBILDETEN TEILE UND FUNKTIONEN

Abbildung	Nummer	Bezeichnung
1	1	Obere Abdeckung
	2	Brotschieber
	3	hinterer Tisch
	4	Messer
	5	vordere Abdeckung
	6	Ausgabetisch
	7	Stoßdämpfer
	8	Krümelfach
	9	Brotablage
	10	Zähler
	11	Reset Ölzähler
	12	Ölstandsanzeige (Misch)
	13	Rolle
2	14	Blech hinten
	15	Schließblech Schaltkasten
	16	Netzkabel
3	17	Arbeitsbereich
6	18	System zum Halten der Scheiben JAC Stop
7	19	Verriegelung vordere Abdeckung
10	20	Hinweis „Schneidgefahr“
	21	Hinweis „Gefahr eines Stromschlags“
	22	Schaltplan

1	VÓÓR DE INBEDRIJFSTELLING	42
2	GARANTIE	42
3	WAARSCHUWINGEN	43
4	TECHNISCHE EIGENSCHAPPEN.....	44
4.1	Technische eigenschappen	44
4.2	Materiaal dat rechtstreeks in contact komt met het deeg	45
5	INSTALLATIE EN INBEDRIJFSTELLING	46
5.1	De machine uit de verpakking halen:	46
5.2	Plaatsing:	46
5.3	Elektrische aansluiting:	46
5.4	Inbedrijfstelling:.....	47
5.5	Gevaar:	47
6	BEDIENINGS- EN VEILIGHEIDSPANEEL	48
6.1	Bedieningspaneel:.....	48
6.2	Werkzone:	48
6.3	Veiligheidsvoorzieningen:	48
7	GEBRUIK	48
8	ONDERHOUD.....	49
8.1	Dagelijks door een opgeleide gebruiker.	49
8.2	Om de 25.000 snij-acties en/of minimaal één keer per jaar door een erkende verdeler.	49
8.3	Vervanging van de bladen.	49
9	VERBRUIKSGOEDEREN	50
9.1	Lijst met VERBRUIKSGOEDEREN.....	50
10	STORINGEN	51
11	LIJST MET ONDERDELEN OP DE AFBEELDINGEN	52

1 VÓÓR DE INBEDRIJFSTELLING

Bedankt dat u hebt gekozen voor een JAC-oplossing. Neem deze gebruikershandleiding grondig door voordat u deze machine installeert en in werking stelt. Zo kunt u uzelf beschermen en schade aan uw machine vermijden.

Deze handleiding verwijst naar diverse afbeeldingen zodat u de instructies beter kunt begrijpen. Deze afbeeldingen bevinden zich op het einde van de handleiding. Raadpleeg ze wanneer u de volgende symbolen tegenkomt (fig.X, n°Y).

Om nog jarenlang van uw machine te kunnen genieten, raden we u aan om de volgende adviezen na te leven:

- Doe een beroep op uw erkende verdeler voor de installatie, inbedrijfstelling en opvolging.
- Om te kunnen genieten van de garantie van vijf jaar (zie verder voor de voorwaarden), moet u bij de installatie van uw machine het onderhoudsboekje laten invullen door uw verdeler. Dit onderhoudsboekje bevindt zich aan de achterkant van uw machine.

2 GARANTIE



JAC biedt een garantie van vijf jaar op al zijn producten.

Deze garantie is geldig voor alle onderdelen van uw machine, waaronder de elektronische onderdelen, maar uitgezonderd de verbruiksgoederen. De garantie treedt in werking op de installatiedatum van het materiaal.

Onder de volgende beperkende voorwaarden:

- Het materiaal moet bij een erkende verdeler zijn aangekocht.
- De installatie moet door een erkende verdeler zijn uitgevoerd.
- Het materiaal moet worden gebruikt in overeenstemming met de aanwijzingen in de gebruikershandleiding en voor het doel waarvoor het werd geproduceerd.
- Het materiaal moet dagelijks worden onderhouden in overeenstemming met de aanwijzingen in de gebruikershandleiding.
- Ten minste één keer per jaar moet onderhoud worden uitgevoerd door de erkende verdeler en dit in overeenstemming met de onderhoudsspecificaties (onderhoud ten laste van de gebruiker).
- Alleen originele JAC-onderdelen mogen worden gebruikt.



Als er geen onderhoud wordt uitgevoerd door een erkende verdeler en/of het onderhoudsboekje niet correct wordt ingevuld, is de garantie beperkt tot één jaar.

Het volgende valt niet onder deze garantie:

- De vervanging van verbruiksgoederen (§9).
- Defecte stukken die door onze diensten niet worden erkend.
- Problemen ten gevolge van een abnormaal gebruik van het materiaal.
- Problemen doordat de installatie niet door een erkende verdeler is uitgevoerd.
- De onderdelen of problemen die het gevolg zijn van transportschade of een ongepaste behandeling.

Een reparatie en/of een vervanging van defecte onderdelen tijdens de garantieperiode verlengt deze garantie niet.

3 WAARSCHUWINGEN

Het is heel belangrijk dat deze gebruikershandleiding bij het apparaat wordt bewaard zodat ze later kan worden geraadpleegd. Als dit apparaat wordt verkocht of aan een andere persoon wordt overgedragen, zorg er dan voor dat de gebruikershandleiding wordt overhandigd zodat de gebruiker op de hoogte is van de werking ervan en van de daarin vermelde waarschuwingen.



Deze waarschuwingen worden gegeven voor uw veiligheid en die van anderen. We vragen u dan ook ze aandachtig te lezen voordat u het apparaat installeert en gebruikt.

Deze machine werd ontworpen om door bevoegde volwassenen te worden gebruikt. Zorg er dus voor dat kinderen de machine niet aanraken en niet als speelgoed beschouwen.

Deze machine is uitsluitend voorbehouden voor professioneel gebruik.

Het is gevaarlijk om de eigenschappen van deze machine te wijzigen of te proberen wijzigen.

Zorg er na de installatie van deze machine voor dat ze niet op het netsnoer staat.

Volg de meegeleverde gebruiksinstructies.

Deze machine moet worden bewaard en gebruikt in een ruimte die niet vochtig of warm wordt.

Deze machine moet voldoende verlicht zijn om het werk uit te voeren.

Deze machine heeft een geluidsniveau van minder dan 75 dB(A) conform de norm EN ISO 3744.

Deze machine mag slechts door één persoon tegelijkertijd worden gebruikt (behoudens tegengestelde instructie).

Deze machine is bedoeld voor het snijden van gebakken en lauw brood.



Deze machine is niet bedoeld voor het volgende brood en materiaal:

- Warm brood, oud brood
- Bevroren of half ontdooid brood
- Volkorenbrood met harde korst en andere soorten brood met een harde korst
- Roggebrood
- Niet-eetbare producten zoals hout, plastic en soortgelijk materiaal
- Elk voedingsmiddel dat niet hoort tot de categorie brood of cake

De machine kan beschadigd raken als niet toegestaan brood of materiaal wordt gesneden.

Schade aan de machine, inclusief de messen, kan risico op letsel voor de gebruiker en/of derden veroorzaken. Gebruik de machine in dat geval niet en laat deze voor verder gebruik repareren door een erkende vertegenwoordiger.

Restrisico's; de machine is gebouwd volgens moderne technische maatstaven en geldende veiligheidsvoorschriften. Desondanks kan de bediening ervan letsel bij de gebruiker en/of derden veroorzaken en ook schade aan de machine of andere eigendommen. Tot deze restrisico's behoort de toegang tot de scherpe zijde van de messen in de machine.

De machine mag nooit worden gereinigd of afgespoeld met een waterslang of hogedrukreiniger.

De machine dient niet in een explosieve omgeving te worden gebruikt.

Informatie over niet-ioniserende straling;

Niet-ioniserende straling wordt niet specifiek opgewekt, maar enkel door de elektrische apparatuur (bijvoorbeeld elektromotoren, elektriciteitsleidingen of permanente magneten). Als een veilige afstand (van veldbron tot implantaat) van 30 cm wordt aangehouden, kunnen actieve implantaten (bijvoorbeeld pacemakers, defibrillatoren) met een hoge mate van waarschijnlijkheid niet worden aangetast of beschadigd.



Haal altijd de stekker uit het stopcontact vooraleer u de buiten- of binnenkant van het apparaat schoonmaakt of onderhoud uitvoert.

Dit apparaat is zwaar. Neem alle veiligheidsmaatregelen tijdens het onderhoud.

4 TECHNISCHE EIGENSCHAPPEN

4.1 Technische eigenschappen

	NEW SELF 450	NEW SELF 450M
Hoogte (mm)	1267	1267
Breedte (mm)	598	598
Diepte (mm)	892	892
Lengte van het toevoerkanaal (mm)	310	300
Breedte van het toevoerkanaal (mm)	440	440
Hoogte van het toevoerkanaal (mm)	160	160
Verpakking (mm)	800 x 860 x 1600	800 x 860 x 1600
Nettogewicht (kg)	210	220
Nettogewicht + verpakking (kg)	230	240
Motorvermogen (kW)	0,49	1,1
Motortype	Eenfasig of driefasig	Driefasig
220 V - 50 Hz (A)	5	-
380 V - 50 Hz (A)	3,2	3,2
Capaciteit (broden/uur)	200<500	200<500

Geluidsniveau (dB)	<70	<70
---------------------------	-----	-----

Versterkte motor	optie
JACSTOP	optie
Gebruikershandleiding	optie
Verhoging van 4 cm	optie
Dagteller	optie
Speciale kleur	optie
Speciale messen	optie

4.2 Materiaal dat rechtstreeks in contact komt met het deeg .

Plank achteraan: INOX 430

Broodduwer: INOX 430

Broodpers: INOX 430

Bladen: Staal

Opvangplank: INOX 430

Broodplank: INOX 430

5.1 De machine uit de verpakking halen:

De machines worden uit onze ateliers op pallets, verankerd en met karton beschermd geleverd. U moet eerst en vooral de verpakking bekijken en elke transportschade onmiddellijk aan de koerier melden.

- Verwijder het karton en de verpakkingzak van de machine.
- Verwijder de riemen en let daarbij met name op de terugslag wanneer ze worden doorgesneden.
- Maak de machine los van de pallet door de houten latten te verwijderen die de wieltjes blokkeren.
- Haal de machine van de pallet. Doe dit met minstens twee personen zodat de machine niet met een harde schok op de grond terechtkomt.

Na het uitpakken van uw machine moet u nakijken of ze tijdens het transport geen schade heeft opgelopen. Meld ons elke afwijking.

5.2 Plaatsing:

Voor uitstekende prestaties en betrouwbaarheid op lange termijn moet u een plaats kiezen die:

Goed verlucht is, niet blootgesteld is aan direct zonlicht en uit de buurt is van warmtebronnen, met een vlak, stevig en trillingsvrij oppervlak.

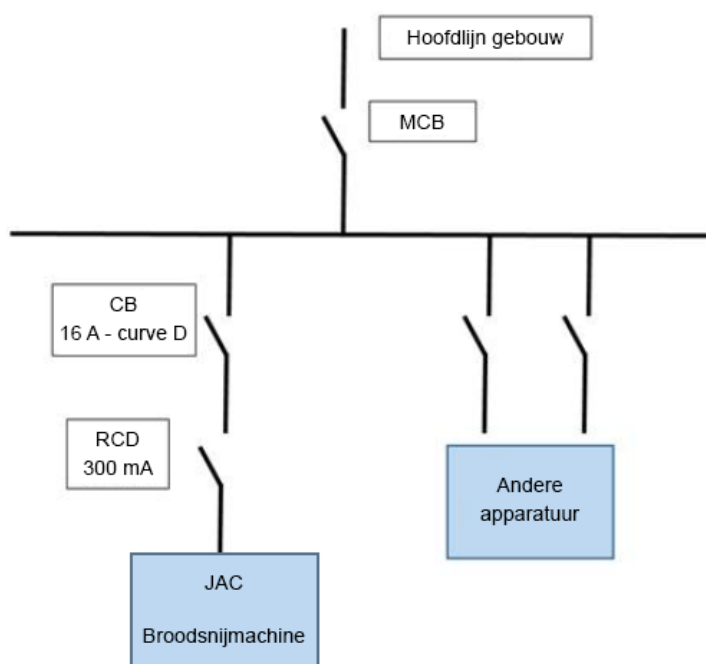
5.3 Elektrische aansluiting:

BELANGRIJK: Verplichte aarding.

Er wordt aangeraden om de installatie te beveiligen met een zekering en differentieelschakelaar.

Uw elektriciteitsinstallatie die stroom levert aan de machine moet als volgt worden beveiligd:

- Noord-Amerika: Beveiliging 15 A
 - Rest van de wereld: Beveiliging 16 A
- Machines die uitgerust zijn met een regelaar moeten worden aangesloten op een aftakdoos op een lijn die uitgerust is met een differentieelschakelaar van 300 mA.



Opmerking: Elk probleem dat te wijten is aan een andere soort aansluiting wordt niet gedekt door de garantie.

Voordat u uw machine op het net aansluit en om een storing van de motor bij het onder spanning zetten te vermijden, is het belangrijk dat u controleert of het elektriciteitsnet overeenstemt met de eigenschappen van de machine (zie het identificatieplaatje).

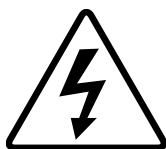
Dit apparaat is conform de machinerichtlijnen 2006/42, 2006/95, 2004/108 en draagt de CE-markering die hiervan getuigt.

Houd rekening met de veiligheidspictogrammen op de machine:



Pictogram dat wijst op een mogelijke stroomonderbreking. Dat vindt u aan de voorkant van de machine in de zone waar het brood wordt geplaatst (fig.10, n°20).

U vindt het elektrische schema van de machine op de achterkant van de deur van de schakelkast (fig.10, n°22).



Pictogram dat wijst op gevaar voor elektrocutie. Trek de machine vóór elke interventie uit. Deze is terug te vinden aan de achterkant van de machine in de buurt van het netsnoer en binnenin de machine op de schakelkast (fig.10, n°21).

5.4 **Inbedrijfstelling:**

Zorg er vóór de inbedrijfstelling voor dat er zich geen enkel storend voorwerp bevindt op de bewegende onderdelen van de machine.

Raadpleeg het hoofdstuk "Gebruik" voor informatie over het gebruik van de machine.

5.5 **Gevaar:**

Als er gevaar is voor de gebruiker of voor de machine, moet u de hoofdschakelaar gebruiken om de stroomtoevoer naar de machine te onderbreken.

Haal de stekker uit het stopcontact voordat u onderhoud uitvoert.
Raak het blad niet aan, ook niet als het stilstaat.

Het blad mag alleen worden vervangen door uw erkende verdeler.

Draag altijd snijbestendige veiligheidshandschoenen tijdens de vervanging van de bladen of tijdens een handeling in de buurt van de bladen.

Elk onderhoud of vervanging van een onderdeel moet door een bevoegde persoon worden uitgevoerd.

6.1 **Bedieningspaneel:**

Als uw machine volautomatisch is, start de machine wanneer de bovenste klep wordt gesloten.

6.2 **Werkzone:**

De werkzone bevindt zich voor de machine (fig.3, n°17).

6.3 **Veiligheidsvoorzieningen:**

Deze machine is uitgerust met:

Een mechanische veiligheidsschakelaar

Die bevindt zich aan de achterkant van de bovenste klep.

Deze stopt de machine wanneer de bovenste klep wordt geopend (fig.1, n°1).

Een mechanische vergrendeling

Deze verhindert dat de bovenste klep opent wanneer de machine werkt.

Een mechanische vergrendeling

Deze verhindert dat de klep vooraan opent wanneer de machine werkt (fig.7, n°19).

Een mechanische veiligheidsschakelaar

Deze bevindt in de onderkant van de machine boven de kruimelbak

Deze verhindert dat de machine start wanneer de deur vooraan wordt geopend (fig.1, n°5).

7 **GEBRUIK**

Voor het gebruik moeten de met een rem uitgeruste zwenkwielen worden vastgezet (fig.1, n°13).

Zet de machine in het begin van de dag onder spanning met de noodstop (fig.1, n°10).

Gebruiksprocedure (fig.4,5)

A. Open de bovenste klep (fig.1, n°1).

B. Plaats uw brood op de plank achteraan (fig.1, n°3), tussen de bladen en het mobiele deel en sluit het deksel. Door het sluiten van het deksel begint de snijprocedure.

C. Op het einde van de cyclus wordt de klep vooraan ontgrendeld. Open de klep en neem uw gesneden brood.

NB: Bepaalde machines zijn uitgerust (als optie) met een JAC-stop (automatisch fixeersysteem) (fig.6, n°18).

Advies: Laat na de eerste werkdagen de spanning van de bladen nakijken door een bekwaam persoon.

Capaciteit: Aantal gesneden broden per dag: 6000 (afhankelijk van het broodtype).

Afmetingen van het brood (b x l x h) (cm): min. 12 x 6 x 6 - max. 44 x 31 x 16

8.1 Dagelijks door een opgeleide gebruiker.

- A. Controleer of u de kruimelbak niet moet leegmaken.
- B. Maak de planken schoon (fig.1, n°6, 3) met een borstel.
- C. Gebruik een droge doek om de binnenkant schoon te maken.
- D. Gebruik een vochtige doek om de buitenkant schoon te maken.

8.2 Om de 25.000 snij-acties en/of minimaal één keer per jaar door een erkende verdeler.

- E. Haal de stekker uit het stopcontact (fig.2, n°16).
- F. Controleer de staat van de snijbladen (fig.1, n°4).
- G. Als de snijkwaliteit daalt, vervang dan de snijbladen (JAC-referentie: 610001, 6110011 in de reserveonderdelencatalogus van JAC)
- H. Als ze moeten worden vervangen, vervang de bladen dan conform de vervangingsprocedure voor snijbladen (fig.8, 9).
NB: Span de bladen niet overmatig, dit kan de kaders vervormen.
- I. Maak schoon met een borstel en stofzuig de binnenkant van de machine.
- J. Controleer de staat van de lagers en smeer ze in.
- K. Smeer de vijzelgewrichten in.

Controleer goed of uw erkende verdeler zijn interventie in uw onderhoudsboekje heeft genoteerd zodat u uw garantie van vijf jaar behoudt.

8.3 Vervanging van de bladen door een erkende verdeler

(fig.8.9)

Draag altijd snijbestendige veiligheidshandschoenen (norm EN 388: 2003 index B= 5) en veiligheidsschoenen tijdens de vervanging van het blad of tijdens een handeling in de buurt van het blad.

Nadat u er zeker van bent dat de stekker van uw machine (fig.2, n°16) uit het stopcontact is gehaald. Open de deur vooraan (fig.1, n°5).

Neem de tafel in roestvrij staal aan de voorkant van de machine weg.

- A. Neem de verpakkingenplank weg.
- B. Schroef aan beide kanten het JAC Fix-systeem los dat de boterhammen op hun plaats houdt en verwijder het.
- C. Schroef de plank vooraan los aan de binnenkanten van de machine.
- D. Draai de plank vooraan naar u toe.
- E. Neem de plank vooraan weg.
- F. Schroef de kap los.
- G. Open de kap die de kaders van de bladen beschermt.
- H. Laat aan de linkerbinnenkant de schroefdeksel van het kader draaien zodat u de sleutel met binnenzeskant van 8 mm via de buitenkant van de machine kunt inbrengen. Draai schroef **A** los die de verbindingsstang van het kader vooraan op zijn plaats houdt.
- I. Haal het kader naar voren. Vervang de bladen van het kader achteraan (plaats iets om u te beschermen tegen de bladen van het kader vooraan). Draai de contramoeren van de schroeven **B** los (Misch-machines). Draai schroeven **B** met holle binnenzeskant los die de bladen spannen. Vervang de bladen en ga daarbij na of ze goed worden geplaatst in de stift van de persen. Span de bladen opnieuw aan door de schroeven **B** vast te draaien, waarbij de bladen op het kader blijven als merkteken voor de spanning. Draai vervolgens de moeren vast (machine uitgerust met smeringoptie).

Om het kader niet te vervormen en geen risico op gevaarlijke breuken te lopen, mag u slechts 1 tot 3 bladen tegelijkertijd vervangen en moet u links en rechts afwisselen.

Herbegin de procedure vanaf punt I. voor het kader vooraan en plaats het kader vooraan evenals de afwerkingselementen terug op hun plaats.

Sluit de machine aan op het net. De machine is klaar.

Controleer goed of uw erkende verdeler zijn interventie in uw onderhoudsboekje heeft genoteerd zodat u uw garantie van vijf jaar behoudt.

9 VERBRUIKSGOEDEREN

Ga bij de bestelling van een reserveonderdeel met uw verdeler na om welk stuk het gaat op basis van de reserveonderdelencatalogus van de fabrikant.

Geef altijd het machinenummer op zoals vermeld op het identificatieplaatje.

Uw verdeler voert de bestellingen uit bij JAC.

9.1 Lijst met VERBRUIKSGOEDEREN

ARTIKELCODE	OMSCHRIJVING	MODEL
5310020	VEER Ø9X28 MM	ALLE
7390031	FLAPS VEILIGHEIDSSSTANG	ALLE
7390030	FLAPS JAC-STOP	ALLE
5740162	VERBINDINGSSTANG VAN KADER MET WIELTJES	ALLE
6110001	JAC-MES 13 MM/0,5 MM	NEW SELF 450
6110011	JAC-MES 13 MM/0,5 MM + TEFLON	NEW SELF 450M
5690221	GLIJDER VOORAAN KLEP ACHTERAAN	ALLE
5690222	GLIJDER ACHTERAAN RECHTS KLEP ACHTERAAN	ALLE
5690223	GLIJDER ACHTERAAN LINKS KLEP ACHTERAAN	ALLE
5315014	GASVEER 10 N	ALLE
7240031	RIEM	ALLE
5690010	SCHUIFGLIJDERS 100 MM	ALLE
5690151	GLIJDER BROODPERS	ALLE
5310019	VEER BROODPERS	ALLE
6120002	VILTDUWER	NEW SELF 450M

Probleem	Controle
De machine werkt niet	Sluit de machine met een kabel aan op het stopcontact aan (fig.2, n°16).
	Sluit de bovenste klep.
	Sluit de klep vooraan.
De machine werkt maar het brood wordt beschadigd of onregelmatig gesneden	Controleer of de bladen niet moeten worden vervangen (fig.8,9).
	Laat het brood enkele uren afkoelen.
	Plaats brood met toegelaten afmetingen.
	Plaats een redelijk stevig brood.
	Als de bladen niet goed zijn uitgelijnd, stel dan de bladen en kaders af.
Het brood trilt in de bladen	Als de bladen niet goed zijn uitgelijnd, stel dan de bladen en kaders af.
Het brood wordt te traag gesneden	Controleer of de bladen niet moeten worden vervangen (fig.8,9).
Het brood wordt stukgescheurd	Als de bladen niet goed zijn uitgelijnd, stel dan de bladen en kaders af.
	Controleer of de bladen niet moeten worden vervangen (fig.8,9).
Het brood komt traag naar buiten of blijft in de bladen	Controleer of de bladen niet moeten worden vervangen (fig.8,9).
Het brood wordt bij het verlaten van de bladen verpletterd	Controleer of de bladen niet moeten worden vervangen (fig.8,9).

OPGELET: Bij elke tussenkomst moet de machine uit het stopcontact worden uitgetrokken



Als het probleem zich blijft voordoen, neem dan contact op met uw technicus.

11 LIJST MET ONDERDELEN OP DE AFBEELDINGEN

Afbeelding	Nummer	Naam
1	1	Klep bovenaan
	2	Broodduwer
	3	Plank achteraan
	4	Bladen
	5	Klep vooraan
	6	Opvangplank
	7	Bumper
	8	Kruimelbak
	9	Broodplank
	10	Teller
	11	Reset van olieteller
	12	Controlelampje oliepeil (Misch)
	13	Wieltje
2	14	Plaat achteraan
	15	Plaat van de schakelkast
	16	Netsnoer
3	17	Werkzone
6	18	JAC Stop-systeem om sneden op hun plaats te houden
7	19	Vergrendeling klep vooraan
10	20	Plaatje "gevaar voor stroomonderbreking"
	21	Plaatje "gevaar voor elektrocutie"
	22	Elektrisch schema

1	ПЕРЕД ВВОДОМ В ЭКСПЛУАТАЦИЮ	54
2	ГАРАНТИЯ	54
3	ПРЕДУПРЕЖДЕНИЯ.....	55
4	ТЕХНИЧЕСКИЕ ХАРАКТЕРИСТИКИ.....	56
4.1	Технические характеристики	56
4.2	Подробности о материалах, находящихся в непосредственном контакте с тестом.	57
5	УСТАНОВКА И ВВОД В ЭКСПЛУАТАЦИЮ	57
5.1	Распаковка машины	57
5.2	Место установки	57
5.3	Электрическое подключение.....	58
5.4	Ввод в эксплуатацию.....	58
5.5	Опасность	59
6	ОРГАНЫ УПРАВЛЕНИЯ И ПРЕДОХРАНИТЕЛЬНЫЕ УСТРОЙСТВА.....	60
6.1	Органы управления.....	60
6.2	Рабочая зона	60
6.3	Предохранительные устройства.....	60
7	ЭКСПЛУАТАЦИЯ	60
8	ТЕХНИЧЕСКОЕ ОБСЛУЖИВАНИЕ	61
8.1	Ежедневное, выполняется пользователем, прошедшим подготовку.....	61
8.2	Через каждые 25 000 нарезок и (или) не реже 1 раза в год; выполняется аккредитованным специалистом.....	61
8.3	Замена лезвий.....	61
9	РАСХОДНЫЕ МАТЕРИАЛЫ.....	62
9.1	Список РАСХОДНЫХ МАТЕРИАЛОВ.....	62
10	НЕПОЛАДКИ В РАБОТЕ	63

1 ПЕРЕД ВВОДОМ В ЭКСПЛУАТАЦИЮ

Благодарим за то, что выбрали компанию JAC. Перед установкой машины и ее вводом в эксплуатацию обязательно прочтите настоящее руководство. Таким образом вы сможете защитить себя и избежать повреждений машины.

В настоящем руководстве содержатся ссылки на различные изображения, облегчающие понимание инструкций. Эти изображения находятся в конце руководства. Обращайтесь к ним, когда встретите в тексте следующие обозначения следующего вида: (fig.X, n°Y).

Для обеспечения бесперебойной работы машины в будущем предлагаем ознакомиться с представленными ниже правилами.

— Для установки машины, ее ввода в эксплуатацию и контроля работы обращайтесь к аккредитованному специалисту.

— Для сохранения 5-летней гарантии на машину (см. необходимые условия далее) дистрибьютор должен заполнить журнал технического обслуживания при установке машины. Журнал технического обслуживания находится с тыльной части машины.

2 ГАРАНТИЯ



Компания JAC предоставляет 5-летнюю гарантию на всю свою продукцию.

Гарантия распространяется на все детали машины, в том числе электронные, кроме расходных материалов. Гарантия вступает в силу с даты установки оборудования.

Гарантия действует при соблюдении следующих ограничительных условий:

- приобретение оборудования у аккредитованного дистрибьютора;
- выполнение установки аккредитованным специалистом;
- использование оборудования в соответствии с указаниями в руководстве по эксплуатации и по назначению, предусмотренному при производстве;
- ежедневное обслуживание оборудования в соответствии с указаниями в руководстве по эксплуатации;
- выполнение технического обслуживания аккредитованным специалистом в соответствии с требованиями по техническому обслуживанию не реже одного раза в год (производится за счет пользователя);
- использование исключительно оригинальных деталей производства компании JAC.



При отсутствии контроля технического обслуживания со стороны аккредитованного специалиста и (или) в случае неправильного ведения журнала технического обслуживания действие гарантии ограничивается одним годом.

Гарантия не распространяется:

- на замену расходных материалов (§9);
- на детали, признанные неисправными не нашей компанией;
- на проблемы, возникшие вследствие неправильной эксплуатации оборудования;

— на проблемы, возникшие вследствие установки машины не аккредитованным специалистом;

— на детали или проблемы, связанные с нанесением ущерба во время транспортировки или ненадлежащим обращением при погрузочно-разгрузочных работах.

Ремонт и (или) замена неисправных деталей, выполненные в течение гарантийного периода, не могут послужить причиной продления данной гарантии.

3 ПРЕДУПРЕЖДЕНИЯ

Настоящее руководство следует сохранить для получения справочной информации при дальнейшей эксплуатации машины. В случае продажи или передачи машины другому лицу следует удостовериться, что руководство по эксплуатации передается вместе с ней, чтобы пользователь мог получить информацию о ее работе и связанных с ней предупреждениях.



Предупреждения изложены для обеспечения вашей безопасности и безопасности других лиц. Просим вас внимательно прочесть эти предупреждения перед установкой и эксплуатацией машины.

Машина разработана для использования совершеннолетними лицами с соответствующим разрешением. Поэтому нужно следить за тем, чтобы дети не прикасались к машине и не использовали ее в качестве игрушки.

Данная машина предусмотрена для эксплуатации в режиме самообслуживания.

Опасно вносить изменения в характеристики машины или предпринимать соответствующие попытки.

После установки машины убедитесь в том, что она не стоит на кабеле электроснабжения.

Соблюдайте данные инструкции по эксплуатации.

Машина должна храниться и использоваться в помещении, защищенном от сырости и жары.

Машина должна быть обеспечена достаточным освещением для выполнения работы.

Уровень шума машины ниже 75 дБ(А) согласно стандарту EN ISO 3744.

Машина не должна использоваться несколькими операторами параллельно (если не предписано иное).

Данная машина предназначена для нарезки печеного и выдержанного хлеба.



Данная машина не предназначена для следующих материалов и видов хлеба:

- Горячий хлеб, черствый хлеб.
- Замороженный или частично размороженный хлеб.

- Цельнозерновой хлеб с твердой коркой и другие виды хлеба с твердой коркой.
- Ржаной хлеб.
- Несъедобные изделия из древесины, пластмассы и аналогичных материалов.
- Любые продукты питания, не входящие в категорию хлебных или кексовых изделий.

Нарезка перечисленных видов хлеба или материалов может привести к повреждению машины.

Повреждение машины, включая ножи, может создать риск получения травмы пользователем или третьими лицами. Не эксплуатируйте машину, поручайте ее ремонт уполномоченному агенту перед любым дальнейшим использованием.



Отаточные риски: машина изготовлена в соответствии с современным уровнем техники и действующими правилами безопасности. Тем не менее, её использование может привести к риску получения травмы пользователем или третьими лицами, к повреждению машины, а также другого имущества. К таким рискам относится доступ к острой стороне ножей.



Всегда отключайте машину от сети электропитания перед выполнением чистки внутренних/внешних поверхностей и операций по техническому обслуживанию.

Машина тяжелая. Принимайте все необходимые меры предосторожности при транспортировке и погрузочно-разгрузочных работах.

4 ТЕХНИЧЕСКИЕ ХАРАКТЕРИСТИКИ

4.1 Технические характеристики

	NEW SELF 450	NEW SELF 450M
Высота (мм)	1267	1267
Ширина (мм)	598	598
Глубина (мм)	892	892
Длина входного канала (мм)	310	300
Ширина входного канала (мм)	440	440
Высота входного канала (мм)	160	160
Упаковка (мм)	800 x 860 x 1600	800 x 860 x 1600
Масса нетто (кг)	210	220
Масса нетто + упаковка (кг)	230	240
Мощность мотора (кВт)	0,49	1,1
Тип мотора	Однофазный или трехфазный	Трехфазный
220 В, 50 Гц (А)	5	-
380 В, 50 Гц (А)	3,2	3,2

Производительность (буханок/час)	200 < 500	200 < 500
Уровень шума (дБ)	< 70	< 70

Усиленный мотор	опция
JACSTOP	опция
Инструкция с пояснениями	опция
Подъем на 4 см	опция
Счетчик ежедневной наработки	опция
Специальный цвет	опция
Специальные ножи	опция

4.2 Подробности о материалах, находящихся в непосредственном контакте с тестом.

Задняя полка: НЕРЖ. 430

Толкатель буханок: НЕРЖ. 430

Пресс для буханок: НЕРЖ. 430

Лезвия: сталь

Полка приемки: НЕРЖ. 430

Устройство для упаковки в пакеты: НЕРЖ. 430

5 УСТАНОВКА И ВВОД В ЭКСПЛУАТАЦИЮ

5.1 Распаковка машины

Машины из наших цехов поставляются на поддонах, закрепленные ремнями и в защитной картонной коробке. Прежде всего следует осмотреть упаковку на предмет наличия повреждений, полученных во время транспортировки, и сообщить о них непосредственно экспедитору.

- A. Удалите картонную коробку и упаковочный пакет машины.
- B. Снимите ремни, обратив особое внимание на их ослабление при разрезании.
- C. Открепите машину от поддона, сняв деревянные рейки, фиксирующие колесики.
- D. Снимите машину с поддона. В этой операции должны участвовать не менее двух человек для обеспечения максимально плавного соприкосновения машины с полом.

После распаковки машины убедитесь, что она не подвергалась повреждениям во время транспортировки. Сообщайте нам о любых дефектах.

5.2 Место установки

Для обеспечения долгосрочной высокой производительности и надежности машины следует правильно выбрать место установки.

Оно должно быть хорошо проветриваемым, защищенным от воздействия прямых солнечных лучей, удаленным от источников тепла, с ровной и прочной поверхностью, не подвергающейся вибрации.

5.3 Электрическое подключение

ВАЖНО! Обязательно наличие заземления.

Рекомендуется защитить электрическую установку с помощью плавкого предохранителя и дифференциального автоматического выключателя.

Электрическая установка, обеспечивающая питание машины, должна быть защищена следующим образом:

— Северная Америка: защита 15 А;

— остальные страны: защита 16 А.

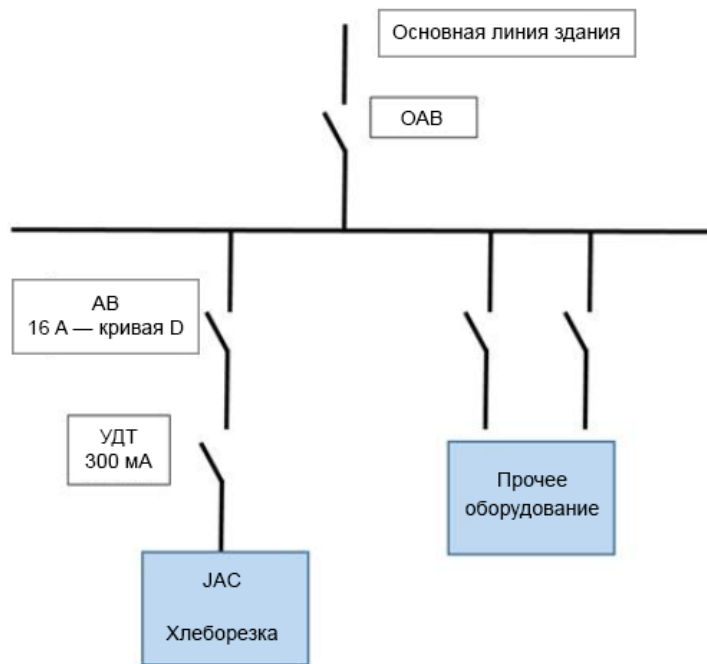
Машины, оборудованные регулятором скорости, обязательно должны подключаться к разветвительной коробке на линии с дифференциальным автоматом 300 мА.

Примечание. Любые проблемы, возникшие в связи с иным видом подключения, не будут покрываться гарантией.

Перед подключением машины к электросети и во избежание выхода мотора из строя в момент подключения следует убедиться в соответствии электросети характеристикам машины (см. заводской щиток).

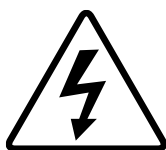
Машина соответствует директивам о безопасности машин и оборудования 2006/42, 2006/95, 2004/108 и имеет подтверждающую маркировку ЕС.

Ознакомьтесь с пиктограммами техники безопасности, имеющимися на машине.



Пиктограмма, предупреждающая об опасности пореза. Она находится в передней части машины, рядом с зоной выгрузки хлеба. (fig. 10, n°20)

Электросхема машины находится на обратной стороне дверцы отсека электрощитка. (fig.10, n°22)



Пиктограмма, предупреждающая об опасности поражения электрическим током. Отключайте машину перед выполнением любых работ. Пиктограмма находится сзади машины, рядом с кабелем питания и внутри машины на отсеке электрощитка. (fig.10, n°21)

5.4 Ввод в эксплуатацию

Перед вводом в эксплуатацию убедитесь в отсутствии любых посторонних предметов на подвижных частях машины.

Для получения ответов на все вопросы, касающиеся эксплуатации машины, см. раздел «Эксплуатация».

5.5 Опасность

В случае возникновения опасности для пользователя или для машины следует отключить электропитание с помощью главного выключателя.

Извлеките штекер из электрической розетки перед выполнением любых операций по техническому или периодическому обслуживанию.

Не прикасайтесь к лезвию, даже если машина выключена.

Для замены лезвия обратитесь к аккредитованному дистрибьютору.

Обязательно надевайте защитные перчатки, предохраняющие от порезов, при выполнении операций в непосредственной близости от лезвия или при замене лезвий.

Все операции по техническому обслуживанию или замене деталей должны осуществляться квалифицированным сотрудником.

6.1 Органы управления

Поскольку машина полностью автоматическая, она включается с закрытием верхней крышки.

6.2 Рабочая зона

Рабочая зона находится перед машиной (fig.3, n°17).

6.3 Предохранительные устройства

Оборудование на данной машине:

Механический аварийный выключатель

Находится сзади от верхней крышки.

Останавливает машину при открытии верхней крышки (fig.1, n°1).

Механический запор

Препятствует открытию верхней крышки во время работы машины.

Механический запор

Препятствует открытию передней крышки во время работы машины (fig. 7, n°19).

Механический аварийный выключатель

Находится в нижней части машины, над баком для крошек.

Препятствует включению машины при открытии передней дверцы (fig.1, n°5).

7 ЭКСПЛУАТАЦИЯ

Перед началом эксплуатации колесики, оснащенные тормозом, должны быть заблокированы (fig.1 n°13).

В начале рабочего дня машину следует включить с помощью кнопки аварийного останова.
(fig.1, n°10).

Порядок эксплуатации (fig.4, 5)

A. Откройте верхнюю крышку (fig.1, n°1).

B. Поместите буханку на заднюю полку (fig.1, n°3) между лезвиями и подвижной частью и закройте крышку. Закрытие крышки активирует процесс нарезки.

C. В конце цикла передняя крышка разблокируется. Откройте ее и заберите нарезанный хлеб.

ОБРАТИТЕ ВНИМАНИЕ! Некоторые машины оборудованы в виде опции системой JAC Stop (автоматической системой поддержки ломтей) (fig.6, n°18).

Рекомендация. После первых дней эксплуатации поручите квалифицированному специалисту проверить натяжение лезвий.

Производительность. Количество буханок, нарезаемых в день: 6000 (в зависимости от типа хлеба).

8 ТЕХНИЧЕСКОЕ ОБСЛУЖИВАНИЕ

8.1 Ежедневное, выполняется пользователем, прошедшим подготовку.

- A. Проверьте заполненность бака для крошек.
- B. Очистите полки (fig.1, n°6, 3) с помощью щетки.
- C. Протрите сухой салфеткой внутренние поверхности.
- D. Протрите влажной салфеткой внешние поверхности.

8.2 Через каждые 25 000 нарезок и (или) не реже 1 раза в год; выполняется аккредитованным специалистом.

- A. Извлеките штекер из розетки (fig.2, n°16).
- B. Проверьте состояние лезвий (fig.1, n°4).
- C. При констатации снижения качества нарезки закажите замену лезвий (артикул JAC: 610001,6110011 в каталоге запасных частей компании JAC).
- D. Если лезвия подлежат замене, эта операция должна быть выполнена в соответствии с процедурой замены режущих лезвий (fig.8, 9).
ОБРАТИТЕ ВНИМАНИЕ! Натяжка лезвий не должна быть избыточной, это может привести к деформации рамок.
- E. Очистите внутренние поверхности машины с помощью щетки и пылесоса.
- F. Проверьте состояние подшипников, смазку подшипников.
- G. Смажьте шарнирные соединения установочного домкрата.

Проверьте внесение аккредитованным специалистом записей о выполненной работе в журнал технического обслуживания для сохранения 5-летней гарантии.

8.3 Замена лезвий ; выполняется аккредитованным специалистом

(fig.8, 9)

Обязательно надевайте защитные перчатки, предохраняющие от порезов (стандарт EN 388: 2003, индекс B = 5), и защитную обувь во время выполнения замены лезвия или операций в непосредственной близости от лезвия.

Убедитесь, что штекер машины (fig.2, n°16) отсоединен от электросети.

Откройте переднюю дверцу (fig.1, n°5).

Снимите полку из нержавеющей стали в передней части машины.

- A. Снимите полку для упаковки.
- B. Открутите с обеих сторон винты системы поддержки ломтей JAC Fix и снимите ее.
- C. Открутите винты передней полки по бокам внутри машины.
- D. Поверните полку к себе.
- E. Снимите переднюю полку.
- F. Открутите винты кожуха.
- G. Откройте кожух, защищающий рамки суппорта лезвий.
- H. С левой стороны внутри поверните заглушку винта рамки, чтобы можно было вставить торцевой ключ для 6-угольного углубления на 8 мм снаружи машины. Открутите винт **A**, фиксирующий стержень передней рамки.
- I. Уложите рамку вперед. Замените лезвия задней рамки (накройте чем-нибудь лезвия передней рамки, чтобы не порезаться). Ослабьте контргайки винтов **B** (на машинах Misch). Ослабьте винты **B** с 6-гранным углублением под торцевой ключ,

обеспечивающие натяжение лезвий. Замените лезвия, следя за тем, чтобы они правильно расположились в выступах противовесов. Восстановите натяжение лезвий, затянув винты **В**, используя в качестве ориентира лезвия, оставшиеся на рамке. После этого зажмите гайки (на машинах, оборудованных опцией смазывания).

Во избежание деформации рамки и опасных поломок одновременно следует заменять не более 1–3 лезвий, чередуя левую и правую стороны.

Выполните ту же процедуру, начиная с пункта I, для передней рамки и установите ее на место вместе с другими элементами корпуса машины.

Подключите машину к электросети. Машина готова к работе.

Проверьте внесение аккредитованным специалистом записи о выполненной работе в журнал технического обслуживания для сохранения 5-летней гарантии.

9 РАСХОДНЫЕ МАТЕРИАЛЫ

При заказе запасной части проверьте вместе с аккредитованным специалистом, о какой детали идет речь, по каталогу запасных частей, выпускаемому производителем.

Всегда уточняйте номер машины, указанный на заводском щитке.

Заказ в компании JAC может разместить ваш аккредитованный специалист.

9.1 Список РАСХОДНЫХ МАТЕРИАЛОВ

ITEM CODE	DESCRIPTION	MODEL
5310020	SPRING, Ø 9 X 28 MM	ALL
7390031	RETAINING BAR FLAP	ALL
7390030	JAC STOP FLAP	ALL
5740162	FRAME LINK WITH BEARINGS	ALL
6110001	JAC KNIFE, 13 MM/0.5 MM	NEW SELF 450
6110011	JAC KNIFE, 13 MM/0.5 MM + TEFLON	NEW SELF 450M
5690221	REAR COVER FRONT PAD	ALL
5690222	REAR COVER RH REAR PAD	ALL
5690223	REAR COVER LH REAR PAD	ALL
5315014	GAS SPRING, 10 N	ALL
7240031	BELT	ALL
5690010	SLIDE PAD, 100 MM	ALL
5690151	LOAF HOLDER PAD	ALL
5310019	LOAF HOLDER SPRING	ALL
6120002	PUSHER FELT PAD	NEW SELF 450M

Проблема	Проверка
Машина не работает	Подключить машину с помощью кабеля (fig.2, n°16).
	Закрыть верхнюю крышку.
	Закрыть переднюю крышку.
Машина работает, но буханки разрушаются или нарезаются неровно.	Проверить, не нужно ли заменить лезвия (fig.8, 9).
	Дать хлебу остыть несколько часов.
	Загрузить буханку подходящих размеров.
	Загрузить достаточно твердую буханку.
	Если лезвия сместились, отрегулировать лезвия и рамки.
Буханка вибрирует между лезвиями.	Если лезвия сместились, отрегулировать лезвия и рамки.
Хлеб нарезается слишком медленно.	Проверить, не нужно ли заменить лезвия (fig.8, 9).
Буханка разрывается.	Если лезвия сместились, отрегулировать лезвия и рамки.
	Проверить, не нужно ли заменить лезвия (fig.8, 9).
Буханка выходит слишком медленно или остается между лезвиями.	Проверить, не нужно ли заменить лезвия (fig.8, 9).
Буханка выходит из лезвий раздавленной.	Проверить, не нужно ли заменить лезвия (fig.8, 9).

ВНИМАНИЕ! Перед выполнением любых ремонтных работ машина должна быть отключена от электроснабжения.



Если проблема не устраняется, обратитесь к вашему техническому специалисту.

11 СПИСОК КОМПЛЕКТУЮЩИХ НА ИЗОБРАЖЕНИЯХ

Изображение	Номер	Название
1	1	Верхняя крышка
	2	Толкатель буханок
	3	Задняя полка
	4	Лезвия
	5	Передняя крышка
	6	Полка приемки
	7	Буфер
	8	Бак для крошек
	9	Устройство для упаковки в пакеты
	10	Счетчик
	11	Сброс счетчика масла
	12	Индикатор уровня масла (Misch)
	13	Колесико
2	14	Задняя пластина
	15	Пластина электрощитка
	16	Кабель питания
3	17	Рабочая зона
6	18	Система поддержки ломтей JAC Stop
7	19	Запор передней крышки
10	20	Пиктограмма «Опасность пореза»
	21	Пиктограмма «Опасность поражения электрическим током»
	22	Электросхема

1	ANTES DE LA PUESTA EN SERVICIO.....	66
2	GARANTÍA	66
3	ADVERTENCIAS.....	67
4	CARACTERÍSTICAS TÉCNICAS.....	68
4.1	Características técnicas.....	68
4.2	Detalle de materiales en contacto directo con la masa.	68
5	INSTALACIÓN Y PUESTA EN SERVICIO	69
5.1	Desembalaje de la máquina:.....	69
5.2	Ubicación:.....	69
5.3	Conexión eléctrica:.....	69
5.4	Puesta en servicio:.....	70
5.5	Peligro:.....	70
6	CUADRO DE CONTROL Y DE SEGURIDAD	71
6.1	Cuadro de control:.....	71
6.2	Área de trabajo:	71
6.3	Cuadro de seguridad:.....	71
7	USO	71
8	LIMPIEZA	72
8.1	Diaria por un usuario formado.....	72
8.2	Cada 25 000 cortes y/o 1 vez al año como mínimo, por un agente autorizado	72
8.3	Cambio de las cuchillas.	72
9	CONSUMIBLES.....	73
9.1	Lista de CONSUMIBLES.....	73
10	INCIDENTES DE FUNCIONAMIENTO	74
11	LISTA DE COMPONENTES DE LAS FIGURAS	75

1 ANTES DE LA PUESTA EN SERVICIO

Gracias por elegir una solución JAC. Lea con atención este manual de uso antes de instalar y poner en servicio esta máquina. De esta forma, usted puede protegerse y evitar el deterioro de su máquina.

Este manual hace referencia a distintas figuras con el fin de facilitar la comprensión de las instrucciones. Estas figuras se encuentran al final del manual. Consúltelas cuando vea los siguientes símbolos: fig.X, n°Y.

Para que el funcionamiento de su máquina sea satisfactorio a lo largo de los próximos años, le invitamos a que lea los siguientes consejos:

- Solicite ayuda a su agente autorizado para la instalación, la puesta en servicio y el seguimiento.
- Para poder beneficiarse de la garantía de 5 años (consulte las condiciones recogidas a continuación), solicite a su distribuidor que complete la tarjeta de mantenimiento al instalar su máquina. Esta tarjeta de mantenimiento se encuentra en la parte trasera de su máquina.

2 GARANTÍA



JAC ofrece una garantía de 5 años en todos sus productos.

Esta garantía es válida para todas las piezas de su máquina, incluidas las electrónicas, excluyendo los consumibles. La garantía entra en vigor a partir de la fecha de instalación del material.

Con las siguientes condiciones restrictivas:

- El material debe haberse adquirido a un revendedor autorizado.
- La instalación deberá efectuarla un agente autorizado.
- El material debe utilizarse conforme a las indicaciones del manual de uso y para la finalidad para la que ha sido fabricado.
- El mantenimiento diario del material debe efectuarse conforme a las indicaciones del manual de uso.
- El agente autorizado debe hacer un seguimiento del mantenimiento conforme a las especificaciones de mantenimiento, como mínimo, una vez al año (mantenimiento a cargo del usuario).
- Deben utilizarse exclusivamente piezas originales JAC.



Si un agente autorizado no efectúa el seguimiento del mantenimiento y/o la tarjeta de mantenimiento no está cumplimentada correctamente, la garantía se limita a un año.

Esta garantía no cubre:

- La sustitución de consumibles (§9).
- Las piezas que nuestros servicios no reconozcan como defectuosas.
- Los problemas derivados de un uso anormal del material.
- Los problemas derivados de una instalación no efectuada por un agente autorizado.

- Las piezas o los problemas causados por daños en el transporte o por un mantenimiento inadecuado.

Una reparación y/o una sustitución de piezas defectuosas efectuadas durante el periodo de garantía no supondrá la prolongación de dicha garantía.

3 ADVERTENCIAS

Es muy importante conservar este manual de uso junto con el aparato para futuras consultas. Si este aparato se vende o se transfiere a otra persona, asegúrese de que se le entrega también el manual de uso para que el usuario pueda estar informado de su funcionamiento y de las advertencias que se recogen aquí.



Estas advertencias se dan por su seguridad y la de los demás. Le rogamos que las lea con atención antes de instalar y utilizar el aparato.

Esta máquina está diseñada para su uso por adultos autorizados. Asegúrese de que los niños no la toquen o que no la usen como un juguete.

Esta máquina está diseñada para un uso de autoservicio.

Es peligroso modificar o intentar modificar las características de esta máquina.

Después de instalar la máquina, asegúrese de que no aplasta el cable de alimentación.

Siga las instrucciones de uso.

Esta máquina debe almacenarse y utilizarse dentro de un local, protegida de la humedad y del calor.

Esta máquina debe estar suficientemente iluminada para efectuar el trabajo.

Esta máquina tiene un nivel sonoro inferior a 75 dB(A) según la norma EN ISO 3744.

Esta máquina debe utilizarla una sola persona a la vez (salvo indicación contraria).

Esta máquina está diseñada para el corte de panes cocidos y templados.

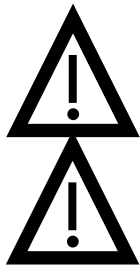


Esta máquina no está destinada a los siguientes panes y materiales:

- Panes calientes, panes duros
- Panes congelados o parcialmente descongelados
- Panes completos con una corteza dura y otros tipos de pan con corteza dura
- Panes de centeno
- Productos no comestibles como la madera, el plástico y materiales similares
- Cualquier otro alimento que no forme parte de la categoría de panes o bizcochos

La máquina puede sufrir daños al cortar panes o materiales no permitidos.

Los daños en la máquina, especialmente en las cuchillas, pueden crear riesgo de lesiones al usuario o a terceros. No utilice la máquina y hágala reparar por un agente autorizado antes de utilizarla.



Riesgos residuales: la máquina está construida de acuerdo con el estado de la técnica y las normas de seguridad aplicables. No obstante, su utilización puede entrañar riesgos de lesiones para el usuario o terceros o daños a la máquina y otros bienes. Estos riesgos incluyen el acceso al filo de corte de las cuchillas.

Desconecte siempre la toma de corriente antes de proceder a la limpieza interior y exterior del aparato y a las operaciones de mantenimiento.

Este aparato es pesado. Tome todas las precauciones de seguridad durante su mantenimiento.

4 CARACTERÍSTICAS TÉCNICAS

4.1 Características técnicas

	NEW SELF 450	NEW SELF 450M
Altura (mm)	1267	1267
Anchura (mm)	598	598
Profundidad (mm)	892	892
Longitud del canal de entrada (mm)	310	300
Anchura del canal de entrada (mm)	440	440
Altura del canal de entrada (mm)	160	160
Embalaje (mm)	800 x 860 x 1600	800 x 860 x 1600
Peso neto (k)	210	220
Peso neto + embalaje (k)	230	240
Potencia del motor (kW)	0,49	1,1
Tipo de motor	Monofásico o trifásico	Trifásico
220 v - 50 Hz (A)	5	-
380 v - 50 Hz (A)	3,2	3,2
Capacidad (panes/hora)	200<500	200<500
Nivel sonoro (dB)	<70	<70

Motor reforzado	Opcional
JACSTOP	Opcional
Cartel explicativo	Opcional
Sobreelevación de 4 cm	Opcional
Contador diario	Opcional
Color especial	Opcional
Cuchillas especiales	Opcional

4.2 Detalle de materiales en contacto directo con la masa.

Tabla trasera: INOX 430

Empujador de pan: INOX 430

Rodillo: INOX 430

Cuchillas: Acero
Tabla de recepción: INOX 430
Embolsador: INOX 430

5 INSTALACIÓN Y PUESTA EN SERVICIO

5.1 Desembalaje de la máquina:

Las máquinas que salen de nuestros talleres se entregan en palés atados y protegidos con cartón. Antes de realizar cualquier acción, debe observarse el embalaje e informar al transportista de cualquier daño debido al transporte.

- A. Quite el cartón y el plástico de embalaje de la máquina.
- B. Quite las cinchas prestando especial atención a su distensión al seccionarlas.
- C. Separe la máquina del palé levantando los listones de madera que bloquean las ruedas.
- D. Baje la máquina del palé. Efectúe esta operación entre dos personas como mínimo para amortiguar al máximo el contacto con el suelo.

Después de desembalar su máquina, compruebe que no ha sufrido daños durante el transporte. Infórmenos de cualquier anomalía.

5.2 Ubicación:

Para obtener un rendimiento excelente y una fiabilidad a largo plazo, elija una ubicación que esté:

Bien ventilada, protegida de los rayos directos del sol y alejada de fuentes de calor, con una superficie plana y robusta y sin vibraciones.

5.3 Conexión eléctrica:

IMPORTANTE: La toma de tierra es obligatoria.

Es aconsejable proteger la instalación con un fusible y un disyuntor diferencial.

La instalación eléctrica que suministra energía a la máquina debe estar protegida tal y como se indica a continuación:

- América del Norte: Protección 15 A.
- Resto del mundo: Protección 16 A.

Las máquinas equipadas con un variador deben estar conectadas obligatoriamente a una caja de derivación en una línea equipada con un diferencial de 300 mA.

Nota: La garantía no cubrirá cualquier problema ocasionado por una conexión de otro tipo.

Antes de conectar su máquina a la red y con el fin de evitar una avería del motor al encenderla, es importante comprobar la adecuación de la red de alimentación a las características de la máquina (consulte la placa informativa de la máquina).

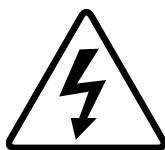
Este aparato cumple con las directivas sobre máquinas 2006/42, 2006/95 y 2004/108 y lleva el marcado CE que lo certifica.

Consulte los pictogramas de seguridad que figuran en la máquina:



Pictograma que indica un riesgo de corte. Lo encontrará en la parte delantera de la máquina, alrededor de la zona de colocación del pan (fig.10, n°20).

Encontrará el esquema eléctrico de la máquina en la parte trasera de la puerta de la caja eléctrica (fig.10, n°22).



Pictograma que indica un riesgo de electrocución. Desconecte la máquina antes de hacer cualquier intervención. Lo encontrará en la parte trasera de la máquina, cerca del cable de alimentación y dentro de la máquina en la caja eléctrica (fig.10, n°21).

5.4 Puesta en servicio:

Antes de la puesta en servicio, asegúrese de que no queda ningún objeto sobrante en las partes en movimiento de la máquina.

Para utilizar la máquina, consulte el apartado «Uso».

5.5 Peligro:

En caso de peligro para el usuario o para la máquina, debe utilizar el interruptor general para cortar la alimentación de la máquina.

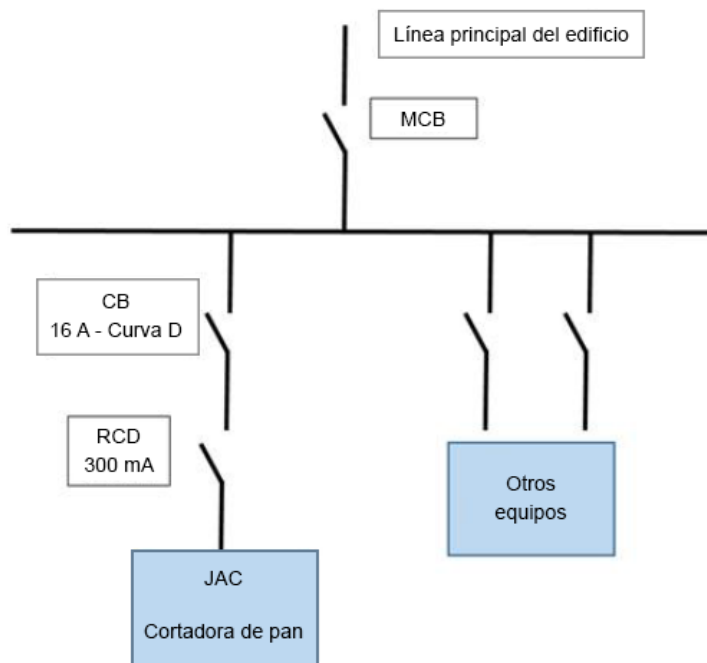
Quite el enchufe de la toma de corriente antes de efectuar cualquier operación de mantenimiento y de limpieza.

No toque la cuchilla incluso si la máquina está parada.

Para cambiar la cuchilla, solicite la intervención de su distribuidor autorizado.

Lleve siempre guantes de protección anticorte al sustituir las cuchillas o cuando trabaje cerca de la cuchilla.

Cualquier operación de mantenimiento o de sustitución de piezas debe efectuarla una persona cualificada.



6.1 Cuadro de control:

Su máquina es totalmente automática, por lo que el cierre de la tapa superior pone en marcha la máquina.

6.2 Área de trabajo:

El área de trabajo está situada en la parte delantera de la máquina (fig.3, nº17)

6.3 Cuadro de seguridad:

Esta máquina está equipada con:

Un interruptor de seguridad mecánico

Situado en la parte trasera de la tapa superior
Detiene la máquina al abrir la tapa superior (fig.1, nº1)

Un bloqueo mecánico

Que impide la apertura de la tapa superior durante el funcionamiento de la máquina

Un bloqueo mecánico

Que impide la apertura de la tapa delantera durante el funcionamiento de la máquina (fig.7, nº19)

Un interruptor de seguridad mecánico

Situado en la parte inferior de la máquina, encima de la bandeja de migas
Que impide que la máquina empiece a funcionar al abrir la puerta delantera (fig.1, nº5)

7 USO

Para utilizar la máquina, las ruedas provistas de freno deben estar bloqueadas (fig.1, nº13).

Al principio del día, encienda la máquina con ayuda del botón de detención de emergencia (fig.1, nº10)

Procedimiento de uso (fig.4,5)

- A. Abra la tapa superior (fig.1, nº1).
- B. Coloque el pan en la tabla trasera (fig.1, nº3), entre las cuchillas y la parte móvil y cierre la tapa. El cierre de la tapa activa el proceso de corte.
- C. Al final del ciclo, la tapa delantera se desbloquea. Ábrala y recoja el pan cortado.

NOTA: Algunas máquinas están equipadas (opcional) con un JAC Stop (sistema automático de sujeción de rebanadas) (fig.6, nº18).

Recomendación: Después de los primeros días de trabajo, pida a una persona cualificada que compruebe la tensión de las cuchillas.

Capacidad: Número de panes cortados al día: 6 000 (según el tipo de pan).
Tamaño del pan (l x anch. x alt.) (cm): mín. 12 x 6 x 6 - máx. 44 x 31 x 16

8.1 Diaria por un usuario formado.

- A. Compruebe si debe vaciar la bandeja de migas
- B. Limpie las tablas (fig.1, n°6, 3) con un cepillo
- C. Utilice un paño seco para limpiar el interior
- D. Para la limpieza exterior, utilice un paño húmedo

8.2 Cada 25 000 cortes y/o 1 vez al año como mínimo, por un agente autorizado

- A. Quite el enchufe de la toma de corriente (fig.2, n°16)
- B. Compruebe el estado de las cuchillas de corte (fig.1, n°4)
- C. Si se percibe una bajada de la calidad de corte, es necesario sustituir las cuchillas de corte (referencia JAC: 610001,6110011 del catálogo de Piezas de Recambio JAC)
- D. Si se deben cambiar, hágalo de acuerdo con el procedimiento de cambio de las cuchillas de corte (fig.8, 9)
NOTA: No tense las cuchillas en exceso, ya que podría deformar los marcos.
- E. Limpie con un cepillo y aspire el interior de la máquina.
- F. Compruebe el estado de los rodamientos y engráselos.
- G. Engrase las articulaciones del elevador.

Compruebe que su agente autorizado registre su intervención en su tarjeta de mantenimiento para conservar su garantía de 5 años.

8.3 Cambio de las cuchillas por un agente autorizado.

(fig.8,9)

Lleve siempre guantes de protección anticorte (Norma EN 388: 2003 índice B= 5) y calzado de seguridad al sustituir la cuchilla o cuando trabaje cerca de la cuchilla.

Después de asegurarse de que el enchufe de su máquina (fig.2, n°16) está desconectado de la corriente.

Abra la puerta delantera (fig.1, n°5).

Retire la tabla de acero inoxidable en la parte delantera de la máquina.

- A. Quite el palé de embolsado.
- B. Desatornille por los dos lados el sistema de sujeción de rebanadas JAC Fix y retírelo.
- C. Desatornille la tabla delantera a los lados interiores de la máquina.
- D. Gire la tabla delantera hacia usted.
- E. Quite la tabla delantera.
- F. Desatornille el forro.
- G. Abra el forro que protege los marcos de soporte de las cuchillas.
- H. En el lado izquierdo interior, gire la tapa del tornillo del marco para que pueda introducir la llave hexagonal hueca de 8 mm por el exterior de la máquina. Afloje el tornillo **A** que sujeta la bieleta al marco delantero.
- I. Empuje el marco hacia adelante. Sustituya las cuchillas del marco trasero (coloque algo para protegerse sobre las cuchillas del marco delantero). Afloje las contratueras de los tornillos **B** (máquinas Misch). Afloje los tornillos **B** hexagonales huecos que tensan las cuchillas. Sustituya las cuchillas comprobando que estén bien colocadas en los pasadores de los balancines. Vuelva a tensar las cuchillas apretando los tornillos **B**, teniendo como referencia para la tensión las cuchillas que han quedado en el marco. Luego, apriete las tuercas (máquina equipada con la opción de engrasado).

Para no deformar el marco y evitar roturas peligrosas, sustituya solamente entre 1 y 3 cuchillas a la vez alternando de izquierda a derecha.

Vuelva a empezar el procedimiento a partir del punto I para el marco delantero y vuelva a colocar el marco delantero y los elementos de protección.

Conecte la máquina a la red eléctrica, la máquina está lista.

Compruebe que su agente autorizado registre su intervención en su tarjeta de mantenimiento para conservar su garantía de 5 años.

9 CONSUMIBLES

Al pedir una pieza de recambio, compruebe con su agente autorizado de qué pieza se trata con base en el catálogo de piezas de recambio del fabricante.

Indique siempre el número de máquina tal y como se indica en la placa informativa.

Su agente efectuará el pedido a JAC.

9.1 Lista de CONSUMIBLES

CÓDIGO DE ARTÍCULO	ETIQUETA	MODELO
5310020	MUELLE Ø9 X 28 MM	TODOS
7390031	SOLAPAS DE BARRA DE RETENCIÓN	TODOS
7390030	SOLAPAS JAC STOP	TODOS
5740162	BIELETA DE MARCO CON RODAMIENTOS	TODOS
6110001	CUCHILLA JAC 13 MM/0,5 MM	NEW SELF 450
6110011	CUCHILLA JAC 13 MM/0,5 MM + TEFLÓN	NEW SELF 450M
5690221	ZAPATA DELANTERA DE LA TAPA TRASERA	TODOS
5690222	ZAPATA TRASERA DERECHA DE LA TAPA TRASERA	TODOS
5690223	ZAPATA TRASERA IZQUIERDA DE LA TAPA TRASERA	TODOS
5315014	MUELLE DE GAS 10N	TODOS
7240031	CORREA	TODOS
5690010	PATÍN DE GUÍA 100 MM	TODOS
5690151	PATÍN DEL RODILLO	TODOS
5310019	MUELLE DEL RODILLO	TODOS
6120002	FIELTRO DEL EMPUJADOR	NEW SELF 450M

Problema	Comprobación
La máquina no gira	Conecte la máquina con el cable (fig.2, nº16)
	Cierre la tapa superior
	Cierre la tapa delantera
La máquina funciona, pero los panes están dañados o cortados de forma irregular	Compruebe si es necesario sustituir las cuchillas (fig.8,9)
	Deje que el pan se enfríe unas horas
	Introduzca un pan con el tamaño adecuado
	Introduzca un pan lo suficientemente firme
	Si las cuchillas están desalineadas, ajuste las cuchillas y los marcos
El pan vibra en las cuchillas	Si las cuchillas están desalineadas, ajuste las cuchillas y los marcos
El pan se corta demasiado lento	Compruebe si es necesario sustituir las cuchillas (fig.8,9)
El pan se rompe	Si las cuchillas están desalineadas, ajuste las cuchillas y los marcos
	Compruebe si es necesario sustituir las cuchillas (fig.8,9)
El pan sale muy lentamente o se queda en las cuchillas	Compruebe si es necesario sustituir las cuchillas (fig.8,9)
El pan está aplastado al salir de las cuchillas	Compruebe si es necesario sustituir las cuchillas (fig.8,9)

ATENCIÓN: Para cualquier intervención, la máquina deberá estar desenchufada obligatoriamente.



Si el problema persiste, póngase en contacto con su técnico.

11 LISTA DE COMPONENTES DE LAS FIGURAS

Figura	Número	Nombre
1	1	Tapa superior
	2	Empujador de pan
	3	Tabla trasera
	4	Cuchillas
	5	Tapa delantera
	6	Tabla de recepción
	7	Parachoques
	8	Bandeja de migas
	9	Embolsador
	10	Contador
	11	Reinicio del contador de aceite
	12	Indicador del nivel de aceite (Misch)
	13	Rueda
2	14	Chapa trasera
	15	Chapa de la caja eléctrica
	16	Cable de alimentación
3	17	Área de trabajo
6	18	Sistema de sujeción de rebanadas JAC Stop
7	19	Bloqueo de la tapa delantera
10	20	Señal «riesgo de corte»
	21	Señal «riesgo de electrocución»
	22	Esquema eléctrico

1	PRIMA DELLA MESSA IN FUNZIONE	77
2	GARANZIA	77
3	AVVERTENZE	78
4	CARATTERISTICHE TECNICHE	79
4.1	Caratteristiche tecniche	79
4.2	Dettaglio materiali in contatto con la pasta.	80
5	INSTALLAZIONE E MESSA IN FUNZIONE	80
5.1	Disimballo della macchina:.....	80
5.2	Posizionamento:.....	80
5.3	Collegamento elettrico:.....	81
5.4	Messa in servizio:.....	81
5.5	Pericolo:.....	82
6	ORGANO DI COMANDO E DI SICUREZZA	82
6.1	Organo di comando:.....	82
6.2	Zona di lavoro:.....	82
6.3	Organi di sicurezza:.....	82
7	UTILIZZO	82
8	MANUTENZIONE	83
8.1	Quotidiana da parte di un utilizzatore addestrato.	83
8.2	Ogni 25.000 tagli e/o 1 volta l'anno almeno, da parte di un tecnico autorizzato.	83
8.3	Sostituzione delle lame.	83
9	COMPONENTI DI CONSUMO.....	84
9.1	Elenco dei COMPONENTI DI CONSUMO.....	84
10	INCIDENTI DI FUNZIONAMENTO.....	85
11	ELENCO DEI COMPONENTI INDICATI NELLE FIGURE.....	86

1 PRIMA DELLA MESSA IN FUNZIONE

Grazie per aver scelto una soluzione JAC. Si invita a leggere con attenzione queste note informative prima di procedere all'installazione e alla messa in servizio di questa macchina. Contengono informazioni su come proteggersi e come evitare il deterioramento della macchina.

Queste informazioni fanno riferimento a diverse figure, in modo da facilitare la comprensione delle istruzioni. Le figure si trovano al fondo delle informazioni. Si invita a farvi riferimento quando si incontrano i seguenti simboli (fig. X, n. Y).

Per una totale soddisfazione dall'utilizzo della macchina nei prossimi anni, si invita a tenere presenti i seguenti consigli:

- Farsi aiutare dal tecnico autorizzato per l'installazione, la messa in servizio e il follow-up.
- Per beneficiare della garanzia di 5 anni (vedere le condizioni riportate in seguito), far compilare dal distributore, il libretto di manutenzione al momento dell'installazione della macchina. Il libretto di manutenzione si trova nella parte posteriore della macchina.

2 GARANZIA



JAC offre una garanzia di 5 anni su tutti i suoi prodotti.

Questa garanzia è valida su tutte le parti della macchina, comprese quelle elettroniche, a parte i componenti di consumo. La garanzia entra in vigore a partire dalla data di installazione del materiale.

Secondo le seguenti condizioni restrittive:

- Materiale acquistato presso un rivenditore autorizzato.
- Installazione effettuata da un tecnico autorizzato.
- Utilizzo del materiale conformemente alle indicazioni sul modo di utilizzo e nel rispetto della finalità per la quale è stato fabbricato.
- Materiale quotidianamente mantenuto nel rispetto delle indicazioni delle modalità di utilizzo.
 - Manutenzioni successive da parte del tecnico autorizzato conformemente alle specifiche di manutenzione con, al minimo, una manutenzione l'anno (manutenzione a carico dell'utente).
 - L'utilizzo esclusivo di parti originali JAC.



Se non si eseguono interventi di manutenzione da parte di un tecnico autorizzato e/o il libretto di manutenzione non è correttamente completato, la garanzia si limita ad un anno.

Questa garanzia non copre:

- La sostituzione dei componenti di consumo (§9).
- Le parti non riconosciute difettose dai nostri servizi.
- I problemi derivanti da un utilizzo anomalo del materiale.
- I problemi derivanti da un'installazione non effettuata da un tecnico autorizzato.

- Le parti o i problemi derivanti da un danno di trasporto o da una manutenzione inadeguata.

Una riparazione e/o una sostituzione di parti difettose effettuate durante il periodo di garanzia non producono l'effetto di prolungare detta garanzia.

3 AVVERTENZE

È molto importante che le istruzioni per l'utilizzo siano conservate con l'apparecchio per ogni consultazione futura. Se questo macchinario deve essere venduto o trasferito ad un'altra persona, accertarsi che le istruzioni per l'utilizzo siano consegnate all'utente destinatario in modo che possa essere informato sul funzionamento e sui messaggi di avvertenza ad esso riferiti.



Tali avvertenze sono fornite per la vostra sicurezza e per quella altrui. Si prega di leggerle con attenzione prima di installare e utilizzare il macchinario.

Questa macchina è stata progettata per essere utilizzata da adulti autorizzati. Accertarsi quindi che i bambini non le si avvicinino e che non la utilizzino come un giocattolo.

Questa macchina è pensata per un utilizzo Self-Service.

È pericoloso modificare o provare a modificare le caratteristiche di questa macchina.

Accertarsi dopo averla installata, che non appoggi sul cavo di alimentazione.

Seguire le istruzioni fornite per l'utilizzo.

Questa macchina deve essere sistemata e utilizzata all'interno di un locale, al riparo da umidità e calore.

Deve essere illuminata a sufficienza per poter funzionare.

La macchina produce un livello di rumore inferiore a 75 dB(A), conforme alla norma EN ISO 3744.

La macchina deve essere utilizzata da una sola persona per volta (salvo prescrizioni contrarie).

Questa macchina è destinata al taglio del pane cotto e raffreddato.



Questa macchina non è destinata ai seguenti materiali e tipi di pane:

- Pane caldo, pane raffermo.
- Pane congelato, o parzialmente scongelato.
- Pane integrale con una crosta dura e altri tipi di pane a crosta dura.
- Pane di segale.
- Prodotti non commestibili come legno, plastica e materiali simili.
- Ogni alimento che non fa parte della categoria dei tipi di pane o delle torte.

La macchina si può danneggiare con il taglio di pani o materiali non autorizzati.



Staccare sempre il cavo di alimentazione prima di procedere alla pulizia interna/esterna del macchinario e alle operazioni di manutenzione.

Se la macchina dovesse subire dei danni, compresi i coltelli, potrebbe creare un rischio di lesioni per l'utente o terzi. In questo caso non utilizzi la macchina e la faccia riparare al più presto da un agente autorizzato prima di qualsiasi ulteriore utilizzo.



Rischi residui: la macchina è costruita secondo lo stato dell'arte e le normative di sicurezza applicabili. Tuttavia, il suo utilizzo può comportare rischi di lesioni per l'utente o terzi, nonché danni alla macchina stessa o ad altri beni. Questi rischi includono l'accesso alla parte affilata dei coltelli.

La macchina non deve mai essere pulita o bagnata con un tubo da giardino o un idropulitrice.

Non è stata verificata l'utilizzazione della macchina in un ambiente esplosivo.

Informazioni riguardo le radiazioni non ionizzanti:

le radiazioni non ionizzanti non sono create intenzionalmente, ma potrebbero essere generate solo da dispositivi elettrici come ad esempio, motori elettrici, linee elettriche o magneti permanenti.

Se viene mantenuta una distanza di sicurezza di almeno 30 cm tra la fonte di radiazioni e un impianto attivo come un pacemaker o un defibrillatore, è molto probabile che non vengano danneggiati.

Questo macchinario è pesante. Adottare tutte le precauzioni di sicurezza al momento della manutenzione.

4 CARATTERISTICHE TECNICHE

4.1 Caratteristiche tecniche

	NEW SELF 450	NEW SELF 450M
Altezza (mm)	1267	1267
Larghezza (mm)	598	598
Profondità (mm)	892	892
Altezza del canale d'ingresso (mm)	310	300
Larghezza del canale d'ingresso (mm)	440	440
Altezza del canale d'ingresso (mm)	160	160
Imballaggio (mm)	800 x 860 x 1600	800 x 860 x 1600
Peso netto (kg)	210	220
Peso NETTO + imballaggio (kg)	230	240
Potenza motore (kW)	0,49	1,1
Tipo di motore	Monofase o trifase	Trifase
220v - 50Hz (A)	5	-
380v - 50Hz (A)	3,2	3,2

Capacità (forme di pane/ora)	200<500	200<500
Livello sonoro (dB)	<70	<70

Motore rinforzato	opzionale
JACSTOP	opzionale
Cartello illustrativo	opzionale
Sopraelevazione di 4 cm	opzionale
Contatore giornaliero	opzionale
Colore speciale	opzionale
Coltelli speciali	opzionale

4.2 Dettaglio materiali in contatto con la pasta.

Ripiano posteriore: INOX 430

Spingipane: INOX 430

Premipane: INOX 430

Lame: Acciaio

Ripiano di ingresso: INOX 430

Insacchettatrice: INOX 430

5 **INSTALLAZIONE E MESSA IN FUNZIONE**

5.1 Disimballo della macchina:

Le macchine sono consegnate, franco fabbrica, su pallet, legate con cinghie e protette con pannelli di cartone. Prima di tutto, occorre esaminare l'imballaggio e ogni danno dovuto al trasporto deve essere dichiarato direttamente all'addetto alla consegna.

- A. Togliere il cartone e il sacchetto d'imballaggio dalla macchina.
- B. Togliere le cinghie facendo particolare attenzione allo sgancio di queste ultime durante il taglio.
- C. Staccare la macchina dal pallet togliendo i listelli di legno che bloccano le ruote.
- D. Far scendere la macchina dal pallet. Accertarsi di essere almeno in due per questa operazione per ammortizzare al meglio il contatto con il terreno.

Dopo il disimballo della macchina, verificare che non abbia subito danni durante il trasporto. Segnalare ogni anomalia.

5.2 Posizionamento:

Per ottenere performance eccellenti e affidabilità a lungo termine, scegliere una posizione:

Ben ventilata, al riparo dai raggi solari diretti e lontano da fonti di calore, con una superficie piana, robusta e priva di vibrazioni.

5.3 Collegamento elettrico:

IMPORTANTE: Messa a terra obbligatoria.

Si consiglia di proteggere l'impianto con un fusibile e un salvavita.

L'impianto elettrico che alimenta la macchina deve essere protetto secondo quanto indicato qui di seguito:

- Nord America: Protezione 15 A;
- Resto del mondo: Protezione 16 A.

Le macchine dotate di variatore, devono necessariamente essere collegate ad una scatola di derivazione su di una linea dotata di salvavita da 300 mA.

Nota: Ogni problema derivante da un altro tipo di collegamento non sarà preso in considerazione ai fini della garanzia.

Prima di collegare la macchina alla rete e onde evitare una dismissione del motore all'avvio, è importante verificare la compatibilità della rete di alimentazione con le caratteristiche della macchina (vedere la relativa targa segnaletica).

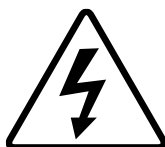
Questo apparecchio è conforme alle direttive macchine 2006/42, 2006/95, 2004/108 e reca la marcatura CE che attesta detta conformità.

Si invita a prendere visione della segnaletica di sicurezza che figura sulla macchina:



Segnale che indica un rischio di taglio. Si trova davanti alla macchina nella zona di deposito del pane (fig. 10, n. 20).

Sul retro della porta del quadro elettrico si trova lo schema elettrico della macchina (fig. 10, n. 22).

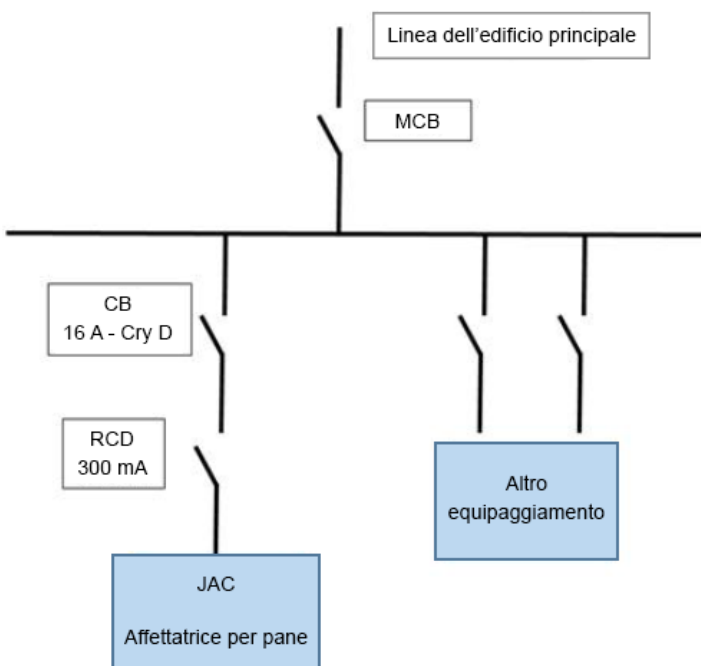


Segnale che indica un rischio di folgorazione. Scollegare il cavo di alimentazione prima di qualsiasi intervento sulla macchina. Si trova nella parte posteriore della macchina vicino al cavo di alimentazione e all'interno della macchina sul quadro elettrico (fig.10, n. 21).

5.4 Messa in servizio:

Prima della messa in servizio, accertarsi che non vi siano oggetti estranei sulle parti in movimento della macchina.

Per l'utilizzo della macchina, fare riferimento al capitolo "Utilizzo".



5.5 Pericolo:

In caso di pericolo per l'utente o per la macchina, utilizzare l'interruttore generale per interrompere l'alimentazione della macchina.

Estrarre la spina della presa elettrica prima di ogni operazione di manutenzione o di assistenza.
Non toccare la lama, anche all'arresto.

Per la sostituzione della lama, rivolgersi al distributore autorizzato.

Indossare sempre guanti di protezione anti-taglio per la sostituzione delle lame o per un'operazione nelle vicinanze della lama.

Ogni operazione di manutenzione o sostituzione delle parti deve essere effettuata da una persona qualificata.

6 **ORGANO DI COMANDO E DI SICUREZZA**

6.1 Organo di comando:

La macchina è totalmente automatica, per cui la chiusura del coperchio superiore aziona la messa in funzione della macchina stessa.

6.2 Zona di lavoro:

La zona di lavoro si trova davanti alla macchina (fig. 3 n. 17)

6.3 Organi di sicurezza:

Questa macchina è dotata:

Di un interruttore di sicurezza meccanico

che si trova nella parte posteriore del coperchio superiore e che ferma la macchina quando si apre il coperchio superiore (fig. 1, n. 1).

Di una chiusura meccanica

Che impedisce l'apertura del coperchio superiore durante il funzionamento della macchina.

Di una chiusura meccanica

Che impedisce l'apertura del coperchio anteriore durante il funzionamento della macchina (fig. 7, n. 19).

Di un interruttore di sicurezza meccanico

Che si trova nella parte bassa della macchina, sopra il cassetto raccogli-briciole e che impedisce alla macchina di partire quando si apre lo sportello anteriore (fig. 1, n. 5).

7 **UTILIZZO**

Per l'utilizzo, le rotelle provviste di freno devono essere bloccate (fig. 1, n. 13).

Ad inizio giornata, alimentare la macchina tramite l'arresto d'emergenza

(fig. 1, n. 10).

Procedura di utilizzo (fig. 4, 5).

- A. Aprire il coperchio superiore (fig. 1, n. 1).
- B. Porre il pane sul ripiano posteriore (fig.1 n. 3), tra le lame e la parte mobile e chiudere il coperchio. La chiusura del coperchio attiva il processo di taglio.
- C. Alla fine del ciclo di taglio il coperchio si sgancia. Aprire e recuperare il pane tagliato.

N.B.: Talune macchine sono dotate (opzionale) di un JAC Stop (sistema automatico di mantenimento delle fette) (fig. 6, n. 18).

Consiglio: Dopo i primi giorni di lavoro, far controllare la tensione delle lame da una persona qualificata.

Capacità: Numero di forme di pane tagliate al giorno: 6.000 (a seconda del tipo di pane).
Dimensioni della forma (L x l x h) (cm): min. 12 x 6 x 6 - max. 44 x 31 x 16

8 MANUTENZIONE

8.1 Quotidiana da parte di un utilizzatore addestrato.

- A. Verificare se occorre svuotare il cassetto raccogli-briciole.
- B. Pulire i ripiani (fig. 1, n. 6, 3) con una spazzola.
- C. Utilizzare un panno asciutto per la pulizia interna.
- D. Per la manutenzione esterna, utilizzare un panno umido.

8.2 Ogni 25.000 tagli e/o 1 volta l'anno almeno, da parte di un tecnico autorizzato.

- A. Staccare la presa della corrente (fig. 2, n. 16).
- B. Verificare lo stato delle lame da taglio. (fig. 1, n. 4).
- C. Se si nota un deterioramento della qualità del taglio occorre procedere alla sostituzione delle lame da taglio (riferimento JAC: 610001,6110011 del catalogo di Parti di ricambio JAC).
- D. Se sono da cambiare, sostituire le lame nel rispetto della procedura di sostituzione delle lame da taglio (fig. 8, 9).
N.B.: Non tendere eccessivamente le lame, altrimenti si rischia di deformare i telai.
- E. Pulire con una spazzola e aspirare l'interno della macchina.
- F. Verificare lo stato dei cuscinetti, quindi lubrificarli.
- G. Ingrassare le articolazioni del martinetto.

Verificare attentamente che il tecnico autorizzato registri l'intervento sul libretto di manutenzione al fine di mantenere la garanzia di 5 anni.

8.3 Sostituzione delle lame di un tecnico autorizzato.

(fig.8,9)

Far sempre attenzione ad indossare guanti di protezione anti-taglio (Norma EN 388: 2003 indice B=5) e scarpe di sicurezza al momento della sostituzione della lama o di un'operazione vicino alla lama. Dopo essersi accertati che la presa della macchina (fig. 2 n. 16) sia ben scollegata dalla corrente. Aprire lo sportello anteriore (fig. 1, n.5). Estrarre il ripiano inox dalla parte anteriore della macchina.

- A. Staccare il pallet di insacchettatura.

- B. Svitare dai due lati il sistema di mantenimento delle fette JAC Fix ed estrarlo.
- C. Svitare il ripiano anteriore sui lati interni della macchina.
- D. Far ruotare il ripiano in avanti verso di sé.
- E. Estrarre il ripiano anteriore.
- F. Svitare la cuffia.
- G. Aprire la cuffia che protegge i telai di supporto lame.
- H. Sul lato sinistro interno, far ruotare il copri vite del telaio in modo da poter inserire la chiave 6 ad esagono da 8 mm dall'esterno della macchina. Allentare la vite **A** che mantiene la bielletta al telaio anteriore.
- I. Adagiare il telaio in avanti. Sostituire le lame del telaio posteriore (proteggersi dalle lame del telaio anteriori). Svitare i controdadi delle viti **B** (macchine Misch). Svitare le viti **B** a esagono incassate che tendono le lame. Sostituire le lame controllando che siano ben posizionate nella sporgenza dei bilancieri. Ridistendere le lame serrando le viti **B**, avendo come riferimento per la tensione le lame rimaste sul telaio. Quindi serrare i dadi (macchina dotata dell'opzione lubrificazione).

Per non deformare il telaio e non rischiare rotture pericolose, non sostituire più di 1 - 3 lame per volta alternando da sinistra a destra.

Ricominciare la procedura dal punto I. per il telaio anteriore e rimontare il telaio anteriore e gli elementi di rivestimento.

Collegare la macchina alla rete elettrica, la macchina è pronta.

Verificare attentamente che il tecnico autorizzato registri l'intervento sul libretto di manutenzione al fine di mantenere la garanzia di 5 anni.

9 COMPONENTI DI CONSUMO

Al momento dell'ordine di parti di ricambio, verificare con il tecnico autorizzato di quale parte si tratta in base al catalogo delle parti di ricambio emesso dal fabbricante.

Precisare sempre il codice della macchina indicato sulla targa segnaletica.

Il tecnico effettua gli ordini presso JAC.

9.1 Elenco dei COMPONENTI DI CONSUMO

CODICE ARTICOLO	VERSIONE	MODELLO
5310020	MOLLA Ø9X28MM	TUTTE
7390031	FLAPS BARRA DI RITEGNO	TUTTE
7390030	FLAPS JAC STOP	TUTTE
5740162	BIELLETTE DEL TELAIO CON CUSCINETTI	TUTTE
6110001	COLTELLO JAC 13MM/0,5MM	NEW SELF 450
6110011	COLTELLO JAC 13MM/0,5MM + TEFLON	NEW SELF 450M
5690221	PATTINO ANTERIORE COPERCHIO POSTERIORE	TUTTE
5690222	PATTINO POSTERIORE DESTRO COPERCHIO POSTERIORE	TUTTE
5690223	PATTINO POSTERIORE SINISTRO COPERCHIO POSTERIORE	TUTTE
5315014	MOLLA A GAS 10N	TUTTE
7240031	CINGHIA	TUTTE
5690010	PATTINO DI GUIDA 100MM	TUTTE
5690151	PATTINO PREMIPANE	TUTTE
5310019	MOLLA PATTINO PREMIPANE	TUTTE

10 INCIDENTI DI FUNZIONAMENTO

Problema	Verifica
La macchina non funziona	Collegare la macchina con un cavo (fig. 2, n. 16).
	Chiudere il coperchio superiore.
	Chiudere il coperchio anteriore.
La macchina funziona, ma le forme di pane sono danneggiate o tagliate in modo irregolare	Verificare se occorre sostituire le lame (fig. 8, 9).
	Lasciar raffreddare la forma di pane per alcune ore.
	Introdurre una forma di dimensioni accettate.
	Introdurre una forma molto soda.
	Se le lame sono disallineate, regolare le lame e i telai.
Il pane vibra tra le lame	Se le lame sono disallineate, regolare le lame e i telai.
Il pane si taglia troppo lentamente	Verificare se occorre sostituire le lame (fig. 8, 9).
Il pane si strappa	Se le lame sono disallineate, regolare le lame e i telai.
	Verificare se occorre sostituire le lame (fig. 8, 9).
Il pane esce molto lentamente o rimane tra le lame	Verificare se occorre sostituire le lame (fig. 8, 9).
Il pane è schiacciato all'uscita dalle lame	Verificare se occorre sostituire le lame (fig. 8, 9).

ATTENZIONE: Per ogni intervento, la macchina deve obbligatoriamente essere scollegata dall'alimentazione.



Se il problema persiste, contattare il proprio tecnico.

11 ELENCO DEI COMPONENTI INDICATI NELLE FIGURE

Figura	Numero	Nome
1	1	Coperchio superiore
	2	Spingipane
	3	Ripiano posteriore
	4	Lame
	5	Coperchio anteriore
	6	Ripiano di ingresso
	7	Protezione
	8	Cassetto raccogli-briciole
	9	Insacchettatrice
	10	Contatore
	11	Pulsante di reset contatore olio
	12	Spia livello olio (Misch)
	13	Ruota
2	14	Lamiera posteriore
	15	Lamiera quadro elettrico
	16	Cavo di alimentazione
3	17	Zona di lavoro
6	18	Sistema di mantenimento fette JAC Stop
7	19	Chiusura coperchio anteriore
10	20	Segnaletica "rischio di taglio"
	21	Segnaletica "rischio di folgorazione"
	22	Schema elettrico

1	قبل التشغيل.....	88
2	الضمان	88
3	تنبيهات.....	89
4	المواصفات الفنية	90
4.1	المواصفات الفنية	90
4.2	تفاصيل الخامات الملامسة بشكل مباشر للعجين.....	90
5	التركيب والتشغيل	91
5.1	فك تغليف الآلة:	91
5.2	الموضع:	91
5.3	التوصيل الكهربائي:	91
5.4	التشغيل:	92
5.5	خطر:	92
6	جهاز التحكم والأمان	93
6.1	جهاز التحكم:	93
6.2	منطقة عمل:	93
6.3	أجهزة الأمان:	93
7	الاستخدام	93
8	الصيانة	94
8.1	يومية بواسطة مستخدم مُدرب.....	94
8.2	كل 25000 مرة تقطيع للخبز و/ أو مرة واحدة على الأقل كل عام بواسطة وكيل معتمد.	94
8.3	تغيير الشفرات.....	94
9	قطع المستهلكات	95
9.1	قائمة بالمستهلكات.....	95
10	الأحداث العارضة أثناء التشغيل.....	96
11	قائمة بالمكونات الموجودة في الأشكال	97

نشكركم لاختياركم حلول JAC. تأكد من قراءة دليل الاستخدام هذا قبل تركيب وتشغيل هذه الآلة. يمكنك أن تحمي نفسك وتتجنب هكذا أن تتلف الآلة.

يشير هذا الدليل إلى أشكال مختلفة من أجل تسهيل فهم التعليمات. هذه الأشكال موجودة في نهاية هذا الدليل. يُرجى الرجوع إليها ما إن ترى الرموز التالية (شكل كذا، ورقم كذا).

من أجل أن تكون راضيًا تمامًا عن أداء هذه الآلة خلال السنوات القادمة، ندعوك إلى الاطلاع على النصائح التالية:

- استعن بوكيل معتمد من أجل التركيب والتشغيل والمتابعة.

- من أجل الاستفادة من الضمان ومدته 5 سنوات (انظر الشروط المذكورة بعد)، قم بواسطة الموزع، باستكمال دفتر الصيانة أثناء تركيب الآلة. يوجد دفتر الصيانة خلف الآلة.

2 الضمان

تقدم شركة JAC ضمانًا على كل منتجاتها مدته 5 سنوات.

يسري هذا الضمان على كل قطع الآلة، بما فيها القطع الإلكترونية، دون المستهلكات. يسري الضمان من تاريخ تركيب المعدة.



بحسب الشروط المقيدة التالية:

- تم شراء المعدة من موزع معتمد؛
- تم التركيب بمعرفة وكيل معتمد؛
- استخدام المعدة وفقًا لتعليمات دليل الاستخدام وفي الغرض الذي صُنعت من أجله؛
- يتم صيانة المعدة يوميًا وفقًا لإرشادات دليل الاستخدام؛
- يتابع الصيانة الوكيل المعتمد وفقًا لشروط الصيانة، مع إجراء الصيانة مرة في العام، على الأقل (الصيانة على حساب المستخدم).
- الاستخدام الحصري لقطع الغيار الأصلية من JAC.

إذا لم توجد صيانة من وكيل معتمد و/أو أن دفتر الصيانة غير مكتمل بشكل صحيح، تقتصر فترة الضمان على عام واحدة.

علمًا بأن الضمان لا يشمل:

- استبدال المستهلكات (فقرة 9)؛
- قطع الغيار التي لم يقر قسم الخدمة الفنية بأنها تالفة؛
- المشكلات الناجمة عن الاستخدام غير السليم للمعدة؛
- المشكلات الناجمة عن تركيب لم يتم بمعرفة وكيل معتمد؛
- قطع الغيار أو المشكلات الناجمة عن تلف أثناء النقل أو المناولة غير المناسبة.

ليس من شأن الإصلاح و/أو الاستبدال لقطع الغيار التالفة الذي يتم خلال مدة الضمان أن يمدد هذا الضمان.



من المهم جداً حفظ دليل الاستخدام هذا مع الجهاز للاطلاع عليه في المستقبل. إذا كان سيتم بيع أو نقل هذا الجهاز إلى شخص آخر، فتأكد أن يتم إعطاء دليل الاستخدام هذا بحيث يستطيع المستخدم معرفة تشغيله والتنبيهات المتعلقة به.

تم إعطاء هذه التنبيهات حرصاً على سلامتك وعلى سلامة الآخرين. الرجاء قراءتها بانتباه قبل تركيب واستخدام الجهاز. تم تصميم هذه الآلة لكي يستخدمها أشخاص بالغون مسموح لهم باستخدامها. يرجى ألا يلمسها الأطفال أو أن يستخدموها كلعبة.



هذه الآلة مخصصة للاستخدام عن طريق الخدمة الذاتية Self-Service.

من الخطر تعديل أو محاولة تعديل مواصفات هذه الآلة.

بعد تركيب الآلة، تأكد أنها لا تستند على كابل كهرباء.

اتبع التعليمات المعطاة من أجل الاستخدام.

يجب تخزين واستخدام هذه الآلة داخل مكان بعيد عن الرطوبة والحرارة.

يجب أن يكون هناك إضاءة كافية لهذه الآلة للقيام بالعمل.

مستوى صوت هذه الآلة أقل من 75 ديسيبل وفقاً للمعيار EN ISO 3744.

يجب أن يستخدم هذه الآلة شخص واحد في الوقت الواحد (ما لم يوجد تعليمات مخالفة).

هذه الآلة مخصصة لتقطيع الخبز الناضج والمعتدل الحرارة.

هذه الآلة غير مخصصة لأنواع الخبز والخامات التالية:

- الخبز الساخن، والخبز البانت
- الخبز المجمد، أو الذي تم إزالة تجميده جزئياً
- الخبز الكامل بقشرة صلبة وأنواع أخرى من الخبز ذات القشرة الصلبة
- خبز الجاودار
- منتجات غير غذائية مثل الخشب والبلاستيك والخامات الشبيهة
- أي طعام لا ينتمي إلى فئة الخبز أو الكعك



يمكن أن تتلف الآلة أثناء قطع الخبز أو الخامات غير المصرح بها.

أفضل دائماً التيار الكهربائي قبل القيام بالتنظيف الداخلي/الخارجي للجهاز وقبل عمليات الصيانة.



هذا الجهاز ثقيل الوزن. اتخذ كل احتياطات الأمان أثناء مناولته.

NEW SELF 450M	NEW SELF 450	
1267	1267	الارتفاع (مم)
598	598	العرض (مم)
892	892	العمق (مم)
300	310	عرض قناة الإدخال (مم)
440	440	عرض قناة الإدخال (مم)
160	160	ارتفاع قناة الإدخال (مم)
1600 × 860 × 800	1600 × 860 × 800	الحزم (مم)
220	210	الوزن الصافي (كجم)
240	230	الوزن الصافي + عبوة التغليف (كجم)
1.1	0.49	قوة الموتور (كيلو واط)
ثلاثي الأطوار (3 فازة)	أحادي الطور أو ثلاثي الأطوار (1 فازة أو 3 فازة)	نوع الموتور
-	5	220 فولت - 50 هرتز (A)
3.2	3.2	380 فولت - 50 هرتز (A)
500 > 200	500 > 200	سعة (الخبز/ساعة)
70 >	70 >	المستوى الصوتي (ديسيبل)

اختياري	موتور مقوى
اختياري	JACSTOP
اختياري	بطاقة توضيحية
اختياري	ارتفاع إضافي قدره 4 سم
اختياري	عداد يومي
اختياري	لون خاص
اختياري	سكاكين خاصة

4.2 تفاصيل الخامات الملامسة بشكل مباشر للعجين.

- منضدة خلفية: فولاذ مقاوم للصدأ 430
- دفع قطع الخبز: فولاذ مقاوم للصدأ 430
- مكبس خبز: فولاذ مقاوم للصدأ 430
- الشفرات: الصلب
- منضدة استقبال: فولاذ مقاوم للصدأ 430
- جهاز التكييس: فولاذ مقاوم للصدأ 430

5.1 فك تغليف الآلة:

تُباع الآلات، عند خروجها من ورشنا، على ألواح، ومربوطة بأشرطة ومحمية بورق الكرتون. قبل القيام بأي شيء، يجب فحص العبوة وإبلاغ شركة التوصيل مباشرة بأي تلف ناتج عن النقل.

- اسحب الكرتونة وكذلك كيس تغليف الآلة.
- انزع الأشرطة مع الانتباه بشكل خاص إلى ارتخاء هذه الأخيرة أثناء قطعها.
- افصل الجهاز عن الألواح بأن تنزع الشرائح الخشبية التي تعرقل حركة العجلات.
- أنزل الآلة عن اللوح. احرص على أن يقوم شخصان على الأقل بهذا الأمر من أجل تخفيف التلامس مع الأرض بشكل أفضل.

بعد إخراج الآلة من الكرتون، تحقق أنها لم تتعرض للتلف أثناء النقل. وأبلغنا بأي عطب.

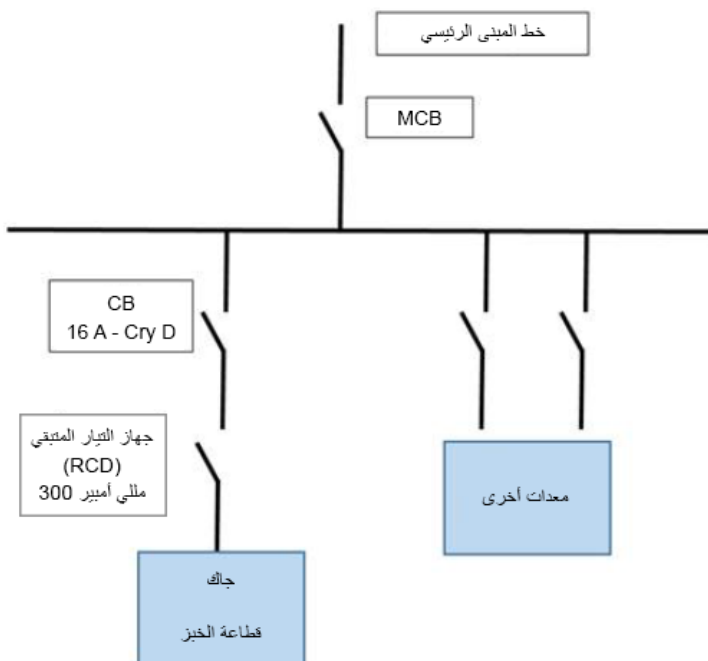
5.2 الموضع:

للحصول على أداء ممتاز وفعالية على المدى الطويل، اختر موضعًا:

جيد التهوية، وبعيدًا عن أشعة الشمس المباشرة وبعيدًا عن مصادر الحرارة مع سطح مستو وقوي وخالي من الاهتزازات.

5.3 التوصيل الكهربى:

هام: توصيل الطرف الأرضي إلزامي. يُنصح بحماية التمديدات الكهربائية بمنصهر وقاطع تيار تفاضلي.



يجب حماية التمديدات الكهربائية التي تُغذي الآلة كما هو مُبين أدناه:
- أمريكا الشمالية: حماية 15 أمبير؛
بقية دول العالم: حماية 16 أمبير.

بالنسبة للآلات المجهزة بمُغيّر كهربائي، يجب توصيله على غلبة التفريغ على خط مجهز بقاطع تيار تفاضلي 300 ملي أمبير.

ملحوظة: أي مشكلة ناجمة عن التوصيل بشكل آخر لن يشملها الضمان.

قبل توصيل الآلة على شبكة الكهرباء ومن أجل تجنب وقف تشغيل الموتور عند توصيله بالكهرباء، من المهم التحقق من توافق شبكة الكهرباء مع مواصفات الآلة (انظر لوحة البيانات لهذه الآلة).

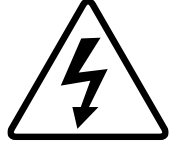
يتوافق هذا الجهاز مع التعليمات الخاصة بالآلات 42/2006 و 95/2006 و 108/2004 ويحمل علامة CE التي تشهد بذلك.

يرجى الاطلاع على الصور التوضيحية المتعلقة بالأمان الموجودة على الآلة:

صورة توضيحية تُشير إلى خطر حدوث جرح. سوف تجدها في مقدمة الآلة حول منطقة وضع الخبز. (fig. 10, n°20)

سوف تجد الرسم التخطيطي الكهربائي للآلة على ظهر باب الصندوق الكهربائي. (fig.10, n°22)

صورة توضيحية تُشير إلى خطر الصعق بالكهرباء. يُرجى فصل الكهرباء عن الآلة قبل أي إصلاح لها. سوف تجدها خلف الآلة بالقرب من كابل التغذية وداخل الآلة على الصندوق الكهربائي. (fig.10, n°21)



5.4 التشغيل:

قبل التشغيل، تأكد من عدم وجود أي شيء دخيل على الأجزاء المتحركة للآلة.

لاستخدام الآلة، راجع فصل "الاستخدام".

5.5 خطر:

في حالة وجود خطر على المستخدم أو على الآلة، يجب عليك أن تستخدم مفتاح القطع العمومي لفصل التيار الكهربائي عن الآلة.

اسحب القابض من المقبس الكهربائي قبل القيام بأية عملية صيانة وفحص؛
لا تلمس الشفرة، حتى أثناء التوقف.

عند تغيير الشفرة، اطلب من الموزع المعتمد أن يقوم بالعملية.

احرص على ارتداء قفازات حماية من الجروح أثناء استبدال الشفرات أو أثناء القيام بعملية قريبة من الشفرة.

أي عملية صيانة أو استبدال قطعة غيار يجب أن تتم بواسطة شخص مؤهل.

6.1 جهاز التحكم:

بما أن الآلة أوتوماتيكية تمامًا، فإن غلق الغطاء العلوي يؤدي إلى تشغيل الآلة.

6.2 منطقة عمل:

توجد منطقة العمل أمام الآلة (fig.3 n°17)

6.3 أجهزة الأمان:

هذه الآلة مجهزة بـ:

مفتاح أمان ميكانيكي

يوجد خلف الغطاء العلوي والذي يوقف الآلة عندما نفتح الغطاء العلوي (fig.1 n°1).

قفل ميكانيكي

يمنع فتح الغطاء العلوي أثناء تشغيل الآلة

قفل ميكانيكي

يمنع فتح الغطاء الأمامي أثناء تشغيل الآلة (fig. 7 n°19)

مفتاح أمان ميكانيكي

ويوجد في أسفل الآلة فوق وعاء فتات الخبز والذي يمنع الآلة من العمل عندما نفتح الباب الأمامي (fig.1 n°5)

7 الاستخدام

من أجل الاستعمال، يجب قفل العجلات الصغيرة المزودة بفرملة (fig.1 n°13).

في بداية اليوم، وصل الآلة بالكهرباء باستخدام زر الإيقاف في حالة الطوارئ (fig.1 n°10)

خطوات الاستخدام (fig.4,5)

أ. افتح الغطاء العلوي (fig.1, n°1)

ب. ضع الخبز على المنضدة الخلفية (fig.1 n°3)، بين الشفرات والجزء المتحرك وأغلق الغطاء. غلق الغطاء يؤدي إلى تشغيل عملية القطع.
ج. في نهاية دورة القطع، يتحرر الغطاء الأمامي من قفله. افتحه وخذ الخبز المقطع.

ملحوظة: بعض الآلات مجهزة (اختيارياً) بنظام JAC Stop (نظام أوتوماتيكي لتنشيط الشرائح) (fig.6 n°18).

نصيحة: بعد الأيام الأولى من التشغيل، افحص شد الشفرات بواسطة شخص مؤهل.

السعة: عدد قطع الخبز المقطعة في اليوم: 6.000 (وفقاً لنوع الخبز).

مقاسات رغيف الخبز (عرض × طول × ارتفاع) (سم): حد أدنى 12 × 6 × 6 - حد أقصى 44 × 31 × 16

8.1 يومية بواسطة مستخدم مُدرّب.

- A. تحقق إذا كان يجب عليك تفريغ وعاء الفتات
- B. قم بتنظيف المناضد (fig.1 n°6, 3) باستخدام فرشاة
- C. استخدم قطعة قماش جافة للتنظيف من الداخل
- D. بالنسبة للعناية الخارجية، استخدم قطعة قماش رطبة

8.2 كل 25000 مرة تقطيع للخيز و/ أو مرة واحدة على الأقل كل عام بواسطة وكيل معتمد.

- A. اسحب القابس من مقبس الكهرباء (fig.2 n°16)
- B. تحقق من حالة شفرات القطع (fig.1 n°4).
- C. إذا لاحظت انخفاض جودة القطع، فيجب القيام باستبدال شفرات القطع (الرقم المسلسل لدى شركة JAC: 610001.6110011 من كتالوج قطع الغيار JAC)
- D. إذا كان لا بد من تغييرها، فاستبدل الشفرات وفقاً لإجراء تغيير شفرات القطع (fig.8, 9) **ملحوظة:** لا تشد الشفرات زيادة عن اللازم، لوجود خطر تشويه الإطارات.
- E. قم بالتنظيف باستخدام فرشاة واشفط داخل الآلة.
- F. تحقق من حالة رولمان البلي، ثم قم بتشحيمها بعد ذلك.
- G. قم بتشحيم مفصلات أسطوانة الباب.

تأكد من أن الوكيل المعتمد يقوم بتسجيل زيارته في دفتر الصيانة من أجل الحفاظ على ضمان الـ 5 سنوات.

8.3 تغيير الشفرات.

(fig.8,9)

احرص دائماً على ارتداء قفازات حماية من الجروح (معيار EN 388: 2003 مؤشر B=5) وأحذية أمان أثناء استبدال الشفرة أو أثناء عملية قربية من الشفرة.
بعد التأكد أن قابس الآلة (fig.2 n°16) مفصول جيداً عن التيار الكهربائي.
افتح الباب الأمامي (fig.1 n°5).
اسحب المنضدة المصنوعة من الفولاذ المقاوم للصدأ الموجود أمام الآلة؛

- A. اسحب لوح التعبئة
- B. قم بفك نظام تثبيت الشرائح JAC Fix من الجانبين واسحبه.
- C. قم بفك المنضدة الأمامية على جانبي الآلة الداخليين
- D. قم بتحريك المنضدة الأمامية ناحيتك
- E. اسحب المنضدة الأمامية
- F. قم بفك الغطاء
- G. افتح الغطاء الذي يحمي إطارات حامل الشفرات.
- H. من الناحية اليسرى الداخلية، قم بتحريك غطاء براغي الإطار من أجل التمكن من إدخال مفتاح سداسي مجوف مقاس 8 مم من خارج الآلة. قم بفك البرغي A الذي يُثبت ذراع توصيل الإطار الأمامي.
- I. قم بإزالة الإطار نحو الأمام. استبدل شفرات الإطار الخلفي (ضع ما من شأنه الحماية على شفرات الإطار الأمامي). فك صواميل الزنق للبراعي B (آلات Misch). قم بفك البراعي B السداسية المجوفة التي تشد الشفرات. استبدل الشفرات مع مراقبة أن تكون موضوعة جيداً في ظفر الأذرع المتأرجحة. أعد شد الشفرات بأن تشد البراعي B، وتكون الشفرات التي ظلت في الإطار هي بمثابة دليل للشد. ثم شد الصواميل بعد ذلك (الآلة المجهزة بخيار التزبييت).

من أجل عدم تشويه الإطار وعدم المخاطرة بتكسير خطير، لا تستبدل إلا 1 إلى 3 شفرات في المرة الواحدة مع التناوب من اليسار إلى اليمين.

كرر الإجراء من النقطة ط بالنسبة للإطار الأمامي وأعد تركيب الإطار الأمامي وكذلك عناصر الهيكل.
قم بتوصيل الآلة بالتيار الكهربائي، فتكون الآلة جاهزة.
تأكد من أن الوكيل المعتمد يقوم بتسجيل زيارته في دفتر الصيانة من أجل الحفاظ على ضمان الـ 5 سنوات.

أثناء طلب قطعة غيار، تأكد مع الوكيل المعتمد بشأن القطعة المطلوبة على أساس كتالوج قطع الغيار الذي أصدره الصانع. حدد دائمًا رقم الآلة كما هو مبين على لوحة البيانات. ويقوم الوكيل بعمل الطلبات لدى شركة JAC.

9.1 قائمة بالمستهلكات

الرمز	التوصيف الجدي	النموذج
5310020	SPRING, Ø 9 X 28 MM	ALL
7390031	RETAINING BAR FLAP	ALL
7390030	JAC STOP FLAP	ALL
5740162	FRAME LINK WITH BEARINGS	ALL
6110001	JAC KNIFE, 13 MM/0.5 MM	NEW SELF 450
6110011	JAC KNIFE, 13 MM/0.5 MM + TEFLON	NEW SELF 450M
5690221	REAR COVER FRONT PAD	ALL
5690222	REAR COVER RH REAR PAD	ALL
5690223	REAR COVER LH REAR PAD	ALL
5315014	GAS SPRING, 10 N	ALL
7240031	BELT	ALL
5690010	SLIDE PAD, 100 MM	ALL
5690151	LOAF HOLDER PAD	ALL
5310019	LOAF HOLDER SPRING	ALL
6120002	PUSHER FELT PAD	NEW SELF 450M

التحقق	المشكلة
قم بتوصيل الآلة باستخدام الكابل (fig.2 n°16)	الآلة لا تدور
أغلق الغطاء العلوي	
أغلق الغطاء الأمامي	الآلة تعمل، لكن الخبز تالف أو مُقطع بطريقة غير متساوية
تحقق إذا كان يجب استبدال الشفرات (fig.8,9)	
اترك الخبز يبرد لعدة ساعات	
ضع الخبز بالمقاسات المقبولة	
ضع خبزاً إلى حد ما ناشئاً	
إذا كانت الشفرات غير متساوية، فاضبط الشفرات والإطارات	الخبز يهتز في الشفرات
إذا كانت الشفرات غير متساوية، فاضبط الشفرات والإطارات	الخبز ينقطع ببطء شديد
تحقق إذا كان يجب استبدال الشفرات (fig.8,9)	الخبز يتمزق
إذا كانت الشفرات غير متساوية، فاضبط الشفرات والإطارات	
تحقق إذا كان يجب استبدال الشفرات (fig.8,9)	الخبز يخرج ببطء شديد أو يظل في الشفرات
تحقق إذا كان يجب استبدال الشفرات (fig.8,9)	
تحقق إذا كان يجب استبدال الشفرات (fig.8,9)	الخبز منسحق عند خروجه من الشفرات

انتبه: قبل القيام بأية إصلاحات، يجب فصل التيار عن الآلة.

إذا استمرت المشكلة بعد ذلك، فيرجى الاتصال بالفني.



الاسم	الرقم	شكل
الغطاء العلوي	1	1
دفع قطع الخبز	2	
منضدة خلفية	3	
الشفرات	4	
غطاء أمامي	5	
منضدة استقبال	6	
واقى صدمات	7	
وعاء فتات الخبز	8	
جهاز التكييف	9	
عداد	10	
إعادة ضبط عداد الزيت	11	
لمبة بيان مستوى الزيت (Misch)	12	
عجلة	13	
صاج خلفي	14	2
صاج صندوق الكهرباء	15	
كابيل الكهرباء	16	
منطقة عمل	17	3
نظام تثبيت الشرائح JAC Stop	18	6
قفل الغطاء الأمامي	19	7
صورة توضيحية "خطر حدوث جرح"	20	10
صورة توضيحية "خطر الصعق بالكهرباء"	21	
رسم تخطيطي كهربائي	22	

fig.1

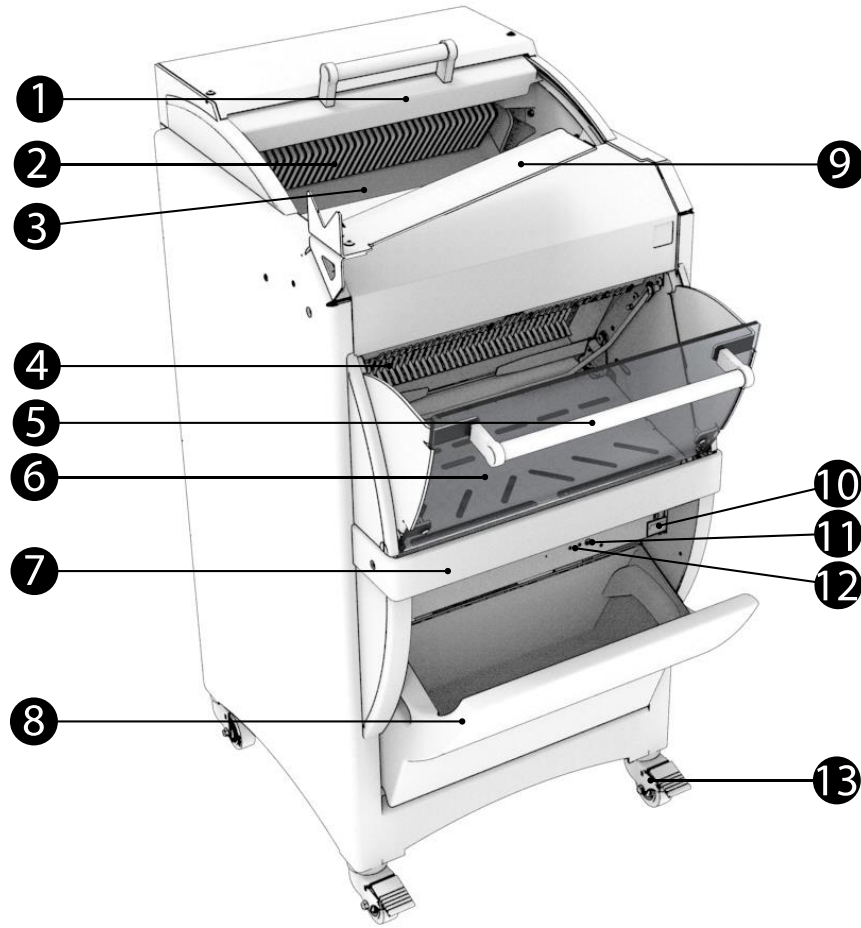


fig.2

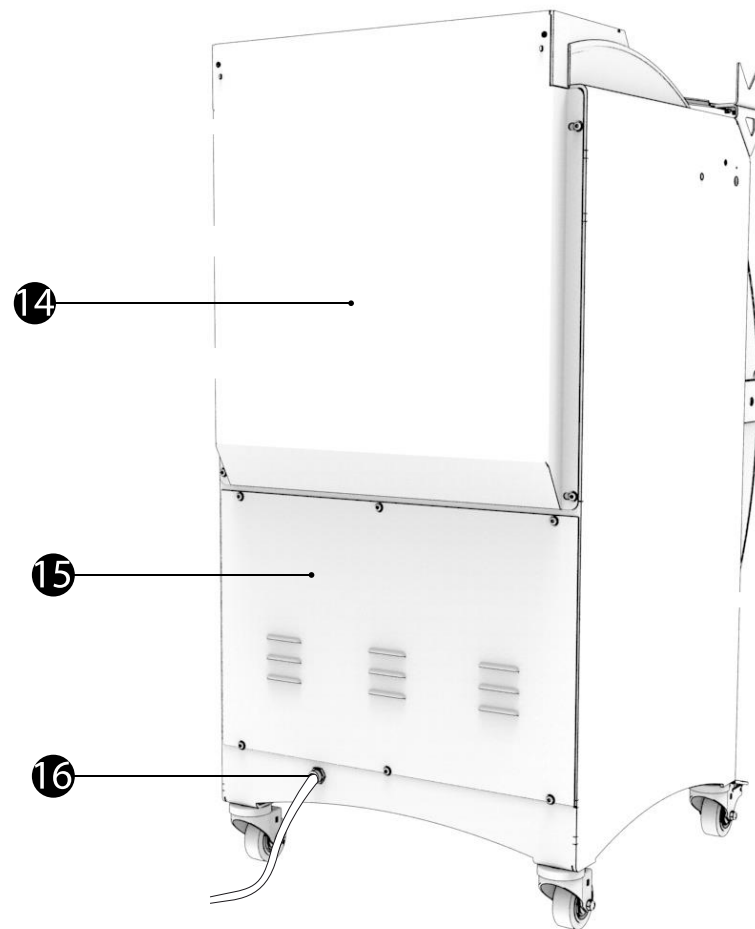


fig.3



fig.4

A



B



fig.5

C



fig.6



fig.7

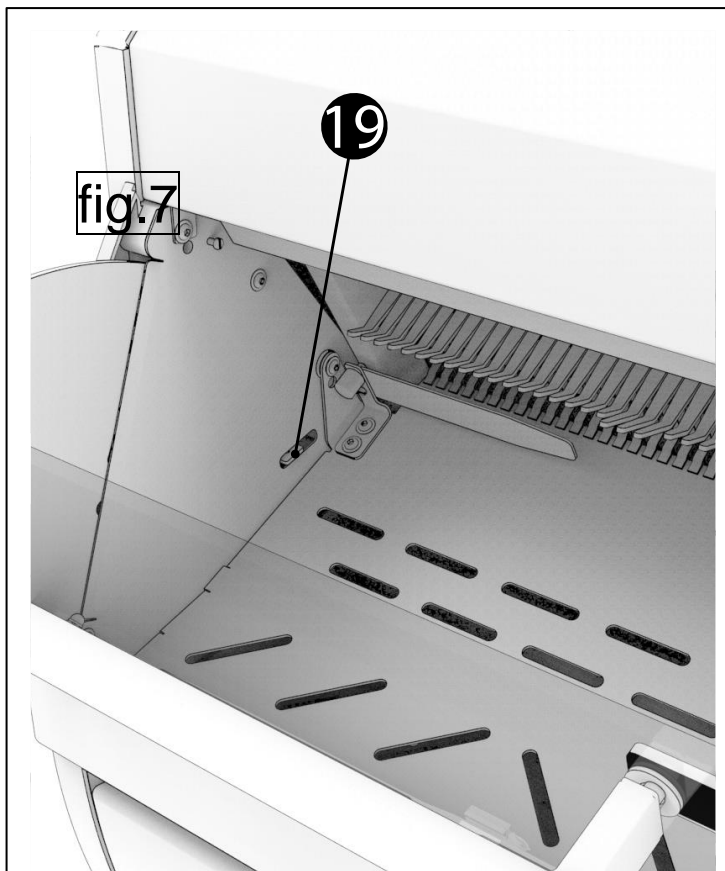


fig.8

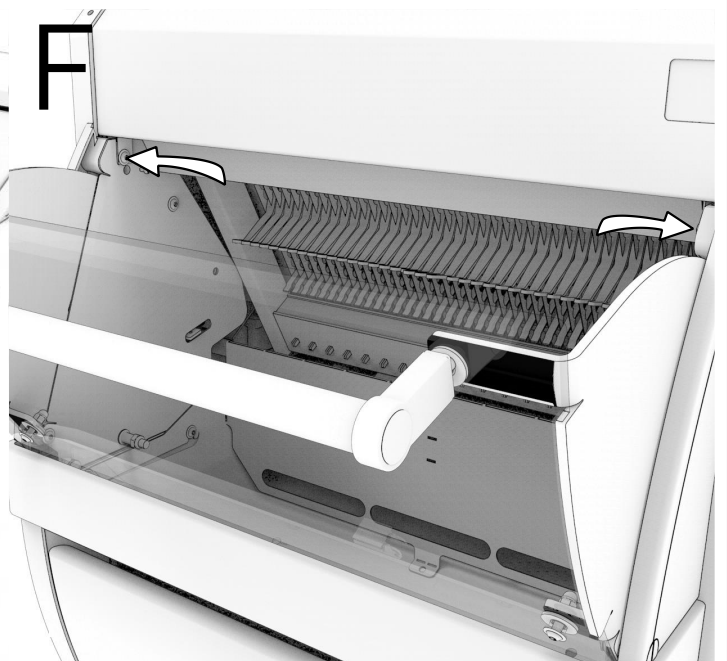
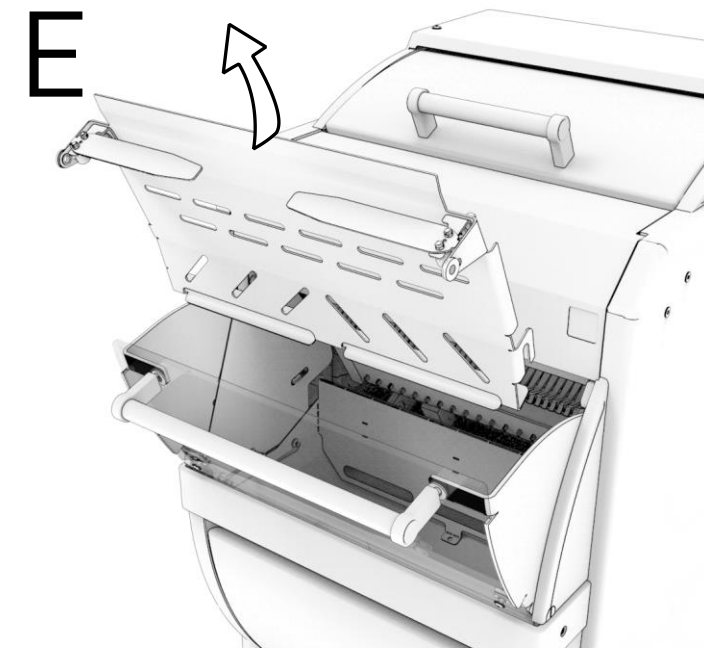
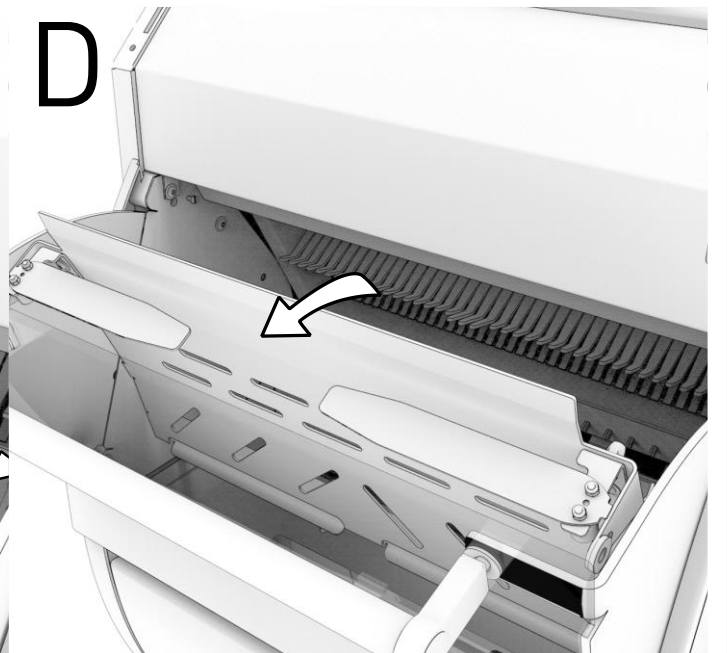
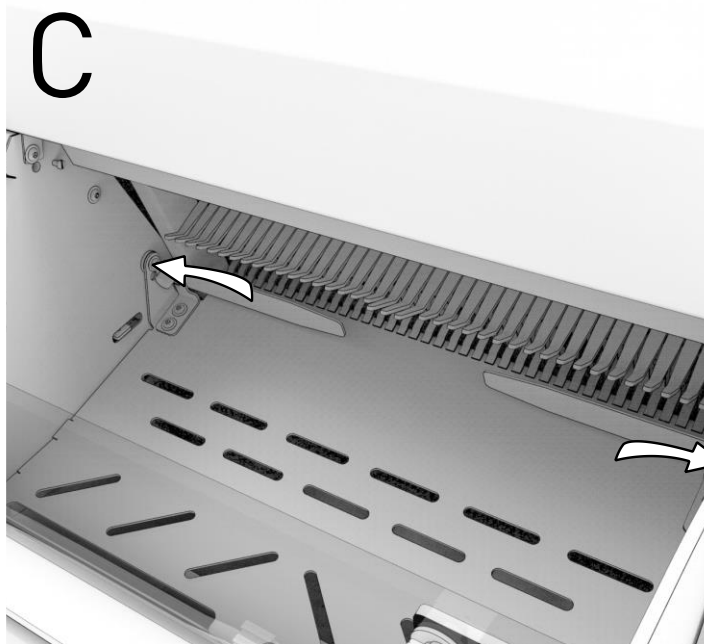
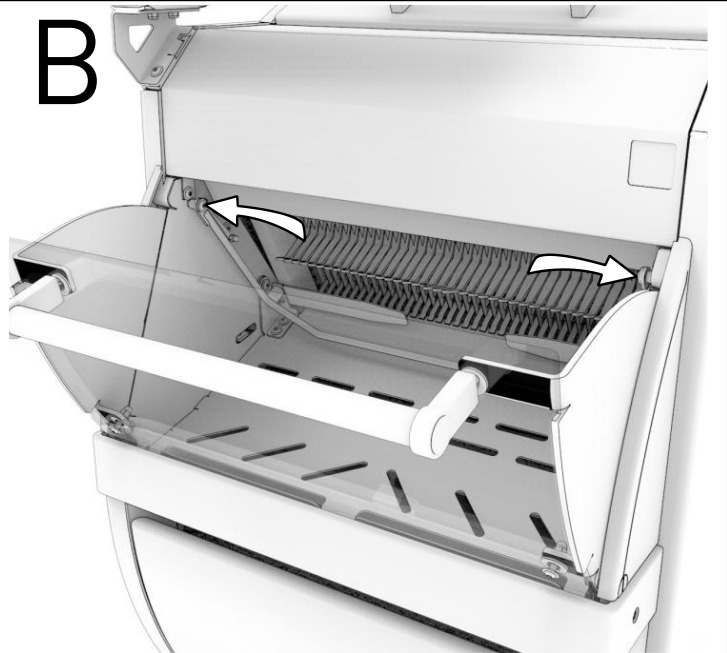
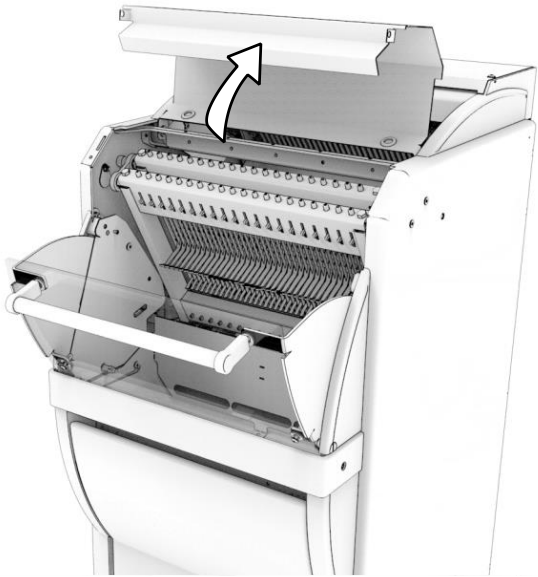
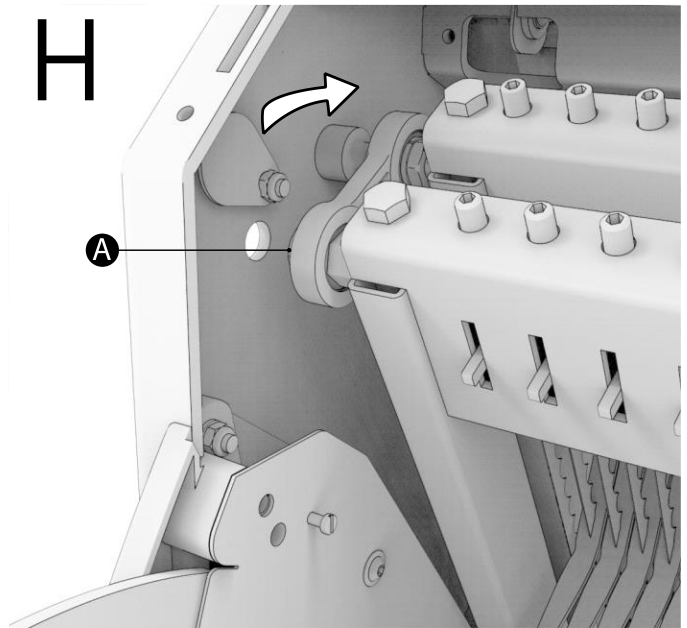


fig.9

G



H



I

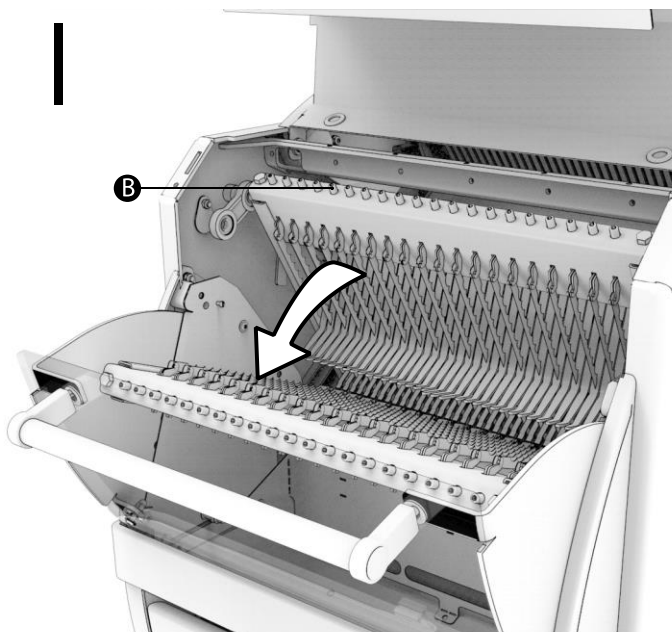
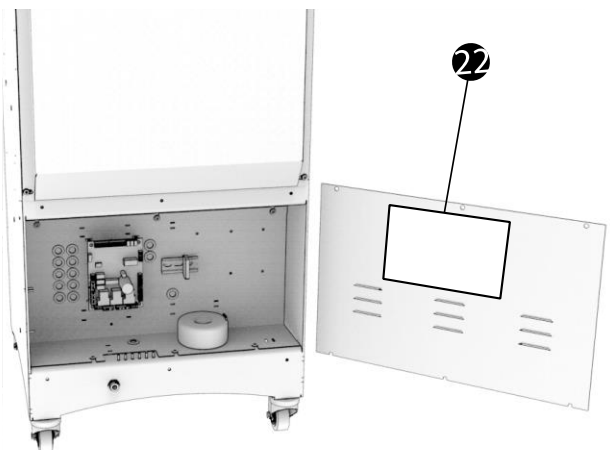
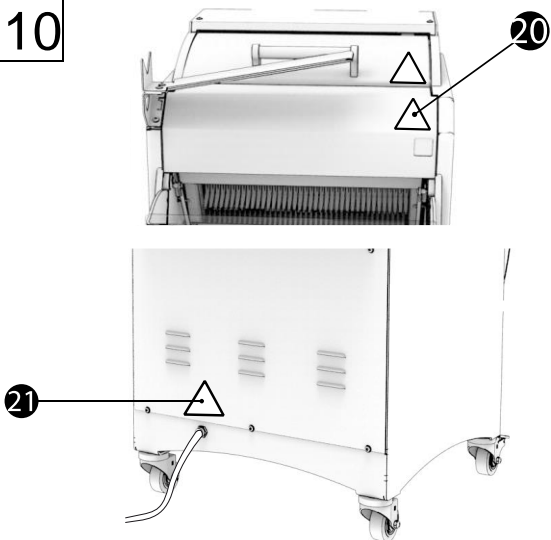


fig.10





Traditionally Innovative

CONFORMITY DECLARATION TO THE EUROPEAN DIRECTIVES.
DECLARATION DE CONFORMITE AUX DIRECTIVES EUROPEENNES.
KONFORMITÄTSERKLÄRUNG AN DEN EUROPÄISCHEN RICHTLINIEN.
VERKLARING VAN OVEREENSTEMMING MET DE EUROPESE RICHTLIJNEN.
DICHIARAZIONE DI CONFORMITÀ ALLE DIRETTIVE EUROPEE.
DECLARACION DE CONFORMIDAD CON LAS DIRECTIVAS EUROPEAS.
ДЕКЛАРАЦИЯ СООТВЕТСТВИЯ ЕВРОПЕЙСКИМ ДИРЕКТИВАМ.
شهادة المطابقة مع التعليمات الأوروبية.

[Large dashed box for signature and stamp]

- EN** The undersigned declares that the machine complies with the European Directives 2006/42/CE, 2014/35/UE, 2014/30/UE.
- FR** Le soussigné déclare que cette machine est conforme aux directives européennes 2006/42/CE, 2014/35/UE, 2014/30/UE.
- DE** Unterzeichneter erklärt, daß diese Maschine den Europäischen Richtlinien 2006/42/CE, 2014/35/UE, 2014/30/UE entspricht.
- NL** Ik ondertekende verklaar dat deze machine in overeenstemming met de Europese richtlijnen 2006/42/CE, 2014/35/UE, 2014/30/UE.
- IT** Il sottoscritto dichiara questa macchina conforme alle ultime versioni delle seguenti direttive europee: 2006/42/CE, 2014/35/UE, 2014/30/UE.
- ES** El infrascrito declara que esta máquina es conforme con las directivas europeas 2006/42/CE, 2014/35/UE, 2014/30/UE.
- RU** Нижеподписавшееся лицо заявляет, что данное устройство соответствует европейским директивам 2006/42/CE, 2014/35/UE, 2014/30/UE.
- AR** يقر الموقع أن هذه الآلة متطابقة مع التعليمات الأوروبية أرقام CE/2006/42 و UE/2014/35 و UE/2014/30.

Last update: 01/2024
Technical files compiled by:
Pierre-Yves DORSIMONT
JAC S.A.
Chemin d'Éole, 1
B-4000 Sclessin
BELGIUM

Complies with the following (parts of)
European Harmonised Standards:
EN 1672-2
EN 1935
EN 60204-1
EN 12100-1
EN 12100-2 §5, §6
EN 13954 if applicable
EN 61000-3-2, -3-3, -6-1, -6-3

EC CONFORMITY
DECLARATION 2024

Adrien Craeninckx
Chief Executive Officer
JAC s.a.