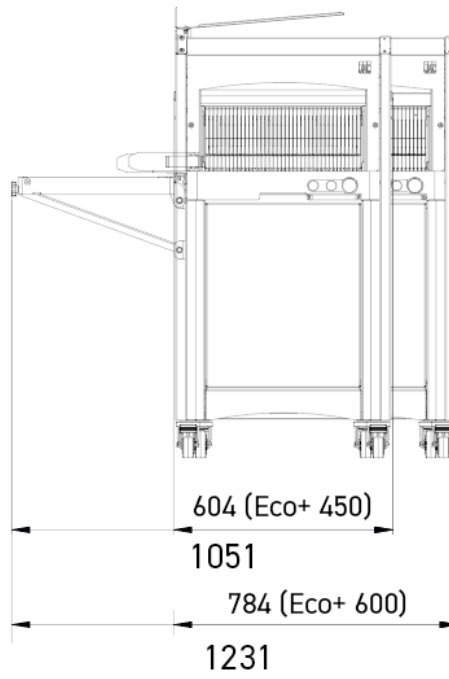
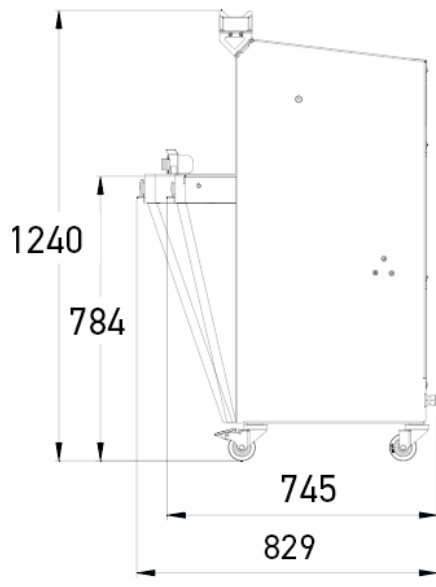


Bread slicers for professionals

ECO+

- ✔ Farineur intégré
- ✔ Gestion de la pression et du temps de tassage
- ✔ Cycle de tassage et de découpe automatique
- ✔ Cycle de décompression automatique de la pâte
- ✔ Remontée automatique des pâtons lors de l'ouverture du capot ou de la grille
- ✔ Accroche automatique du support de grilles





SPECIFICATIONS

Dim. max du pain (Lxlxh) en cm	44 x 31 x 16
Puissance moteur en kW	0,49
Poids net en kg	165
ISC (Intelligent Slicing Control)	•
Type de lame et dimensions en mm	Acier 13 x 0,5

Finition



TECHNICAL SPECIFICATIONS

Epaisseur de tranche en mm	9,10,11,12,13,14,15,16,17,18,Double tranche (Supplément)
Hauteur de pousse-pains	Extra bas (50mm),Bas (80mm),Haut (100mm)
Type d'alimentation	230V mono ,230V triphasé ,400V triphasé
Options (Additional cost)	Moteur renforcé, Souffleuse ensacheuse repliable, Automode, Surélévation de 4 cm, Compteur journalier, Couteaux spéciaux, Porte sachets, Bag closing device

MAIN STRENGTHS



ISC® with extended mode selector

Intelligent Slicing Control (JAC patent) is an automatic pressure and slicing speed control system. It adapts the cutting action according to the consistency of the bread. No manual setting needed. The ISC® with extended mode selector provides two extra automatic modes, to adapt to extreme cutting condition of very fresh breads or the need for particularly fast cutting rate.



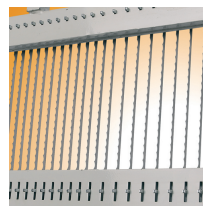
Removable crumb collector

Accessible by tilting the front, cylinder-assisted door. 18 litre capacity.



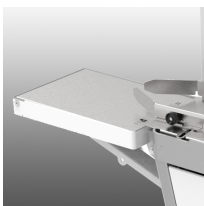
Jacflaps

Holds the loaf together for easier handling when unloading.



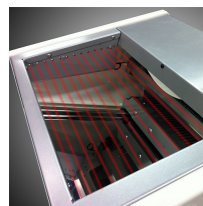
Double slice thickness (option)

Allows two different slicing widths on the same machine



Foldable bag blower (option)

Saves packaging time.



Automode (option)

Automatic cutting cycle for optimum time management (JAC patent). Increased accessibility while maintaining an optimum safety level. Achieves maximum output combined with fewer operations.