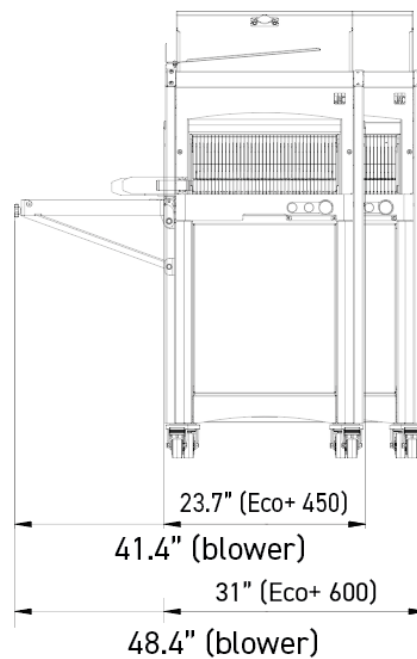
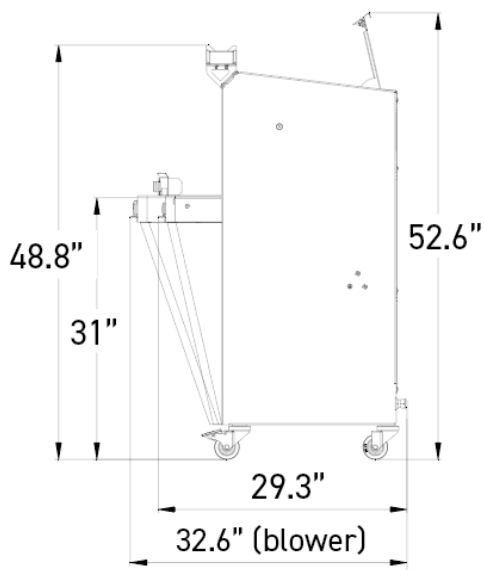


Bread slicers for professionals

ECO+

- ✓ Maximum safety thanks to the rear cover actuating the cutting process
- ✓ Removable, ergonomic crumb collector
- ✓ Automatic cutting cycle for simplicity in use and optimum time management
- ✓ Sleek lines
- ✓ Silent



SPECIFICATIONS

Max. loaf dimensions in in (L x W x H)	23.6" x 12.2" x 6.3"
Motor power in kW	0.49
Type of motor	1ph/120V/60Hz/7.3A
Plug configuration	NEMA 5-15P
Net weight in lbs	397
Loaf pusher pressure selector	•
Fold down bag blowing table	•

TECHNICAL SPECIFICATIONS

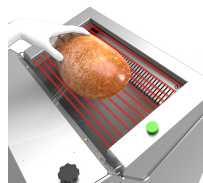
Slice thickness options (in mm)	3/8" (10mm), 7/16" (11mm), 1/2" (13mm), 5/8" (16mm), 3/4" (19mm) (Extra cost), 7/8" (22mm) (Extra cost), 1" (25mm) (Extra cost), 1 1/4" (31mm) (Extra cost), Special slice thickness (Extra cost), Double slice thickness (Extra cost)
---------------------------------	--

MAIN STRENGTHS



ISC® with extended mode selector

Intelligent Slicing Control (JAC patent) is an automatic pressure and slicing speed control system. It adapts the cutting action according to the consistency of the bread. No manual setting needed. The ISC® with extended mode selector provides two extra automatic modes, to adapt to extreme cutting condition of very fresh breads or the need for particularly fast cutting rate.



AutoMode (option)

(JAC patent) Automatic and touchless start and stop. For optimum time management and hygiene. Increased accessibility while maintaining maximum safety level. Maximum output with fewer operations.



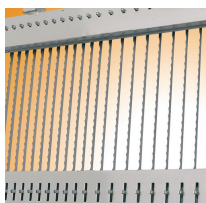
Removable crumb collector

Accessible by tilting the front, cylinder-assisted door. 18 litre capacity.



Jacflaps

Holds the loaf together for easier handling when unloading.



Double slice thickness (option)

Allows two different slicing widths on the same machine



ETL Sanitation Listed and ETL Listed US & Canada

The ETL Sanitation mark is awarded to food service equipment that has been rigorously tested against national sanitation requirements. This mark ensures you that the equipment is fit for use during food production as the manufacturer has not only passed the initial testing, but remains in compliance by completing periodic follow-up inspections. If the ETL Listed mark has a "US" to the bottom right, it has passed U.S. product safety standards. If it has a "C" to the bottom left, it has passed Canadian product safety standards. If the ETL mark displays both identifiers, it meets both standards.



Plug configuration

NEMA 5-15P



Partners

JAC is a member of these different associations