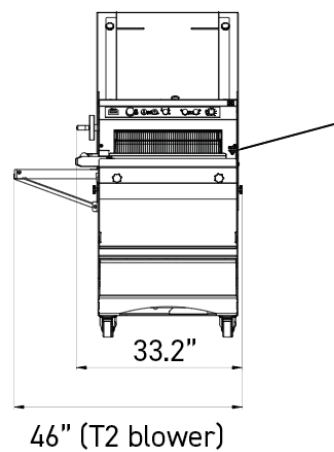
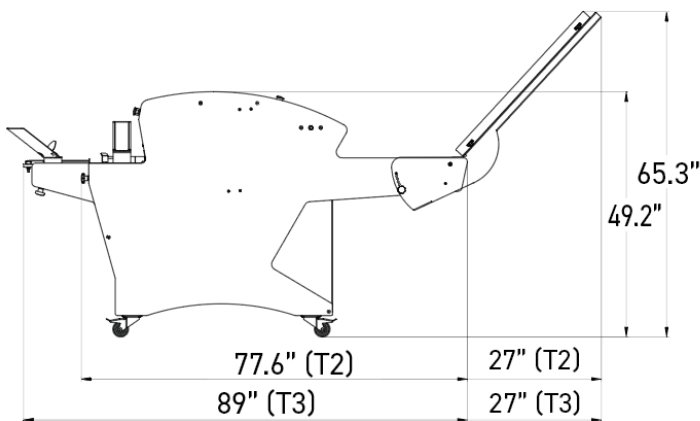


Bread slicers for professionals

FULL

- ✓ Continuous slicing of all types of bread
- ✓ High speed, thanks to motorized in-feed belts
- ✓ Robust construction
- ✓ Adjustable speed
- ✓ 5 years parts / 1 year labor warranty
- ✓ Up to 22" loaf



SPECIFICATIONS

Max. loaf dimensions in in (W x H)	22" x 6.3"
Foldable bag blower	•
Motor power in kW	1.1
Type of motor	3ph/208V/60Hz/4.8A
Plug configuration	NEMA L15-20P
Net weight in lbs	805

TECHNICAL SPECIFICATIONS

Slice thickness options (in mm)	3/8" (10mm), 7/16" (11mm), 1/2" (13mm), 5/8" (16mm), 3/4" (19mm) (Extra cost), 7/8" (22mm) (Extra cost), 1" (25mm) (Extra cost), 1 1/4" (31mm) (Extra cost), Special slice thickness (Extra cost)
---------------------------------	---

Options (Additional cost)	Loading ramp
---------------------------	--------------

MAIN STRENGTHS



Front control panel

Motorised adjustment of the upper belt height (height of loaves). Next to the front panel controls, a timer accurately records your working time.



Variable speed drive

Allows the cutting speed to be adjusted to suit the type of bread.



Rear loading belt

Provides uniform continuous cutting, thanks to adjustable side guides.



L15-20P

Plug configuration

NEMA L15-20P



L15-20P

Plug Configuration

NEMA L15-20P



Partners

JAC is a member of these different associations