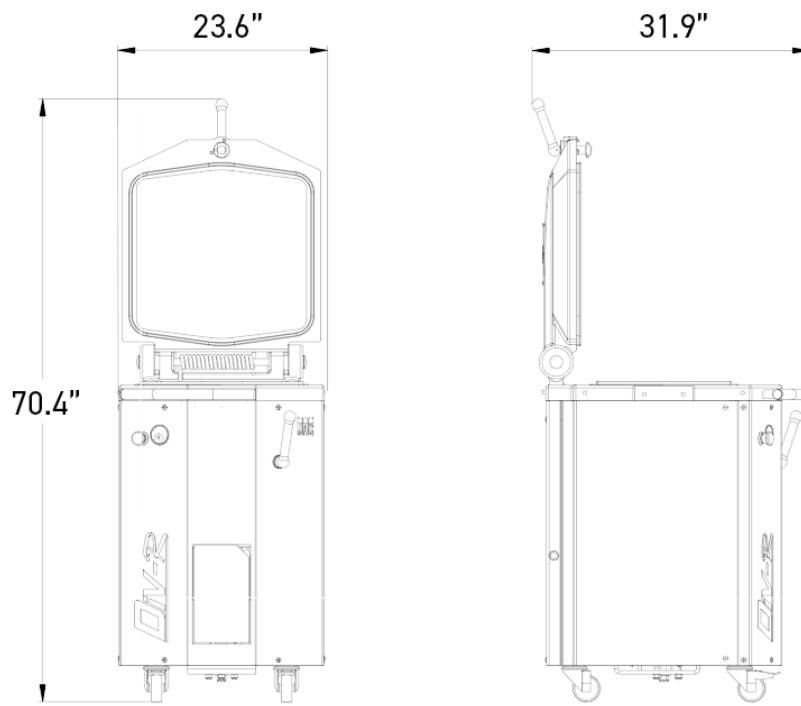


Hydraulic dividers

DIV-R

- ✓ Increased productivity
- ✓ Simplified cleaning
- ✓ Silent (-65dB)
- ✓ Adjustable pressure
- ✓ Stainless steel exterior
- ✓ 20 divisions
- ✓ 5 years parts / 1 year labor warranty

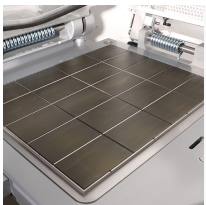




SPECIFICATIONS

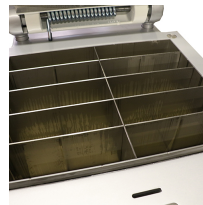
Dimensions of square tanks (L x W x H) in in	18.11" x 15.2" x 4.9"
Dimension of cuts of square tanks (LxW) in in	4.5" x 2.95"
Max/min weight of dough pieces in oz (dough dependent)	5.3 / 33.5
Chamber capacity in lbs	41.9
Min / max weight in oz in 10-division position	10.6 / 67
Flour splash prevention system	•
Automatic knife retraction	•
Adjustable pressure	•
Flour recovery	•
Protection handle	•
Motor power in kW	1.8
Type of motor	3ph/208V/60Hz/11A
Net weight in lbs	584
Easy Clean treatment	•

MAIN STRENGTHS



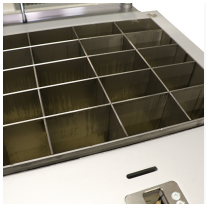
Easyclean

This extremely tough treatment is impregnated into the material; its exceptional non-stick qualities improve over time.



10/20 (option)

10 / 20 divisions Allows working in 10 divisions (230mm x 75mm) or 20 divisions (115mm x 75mm)



Stainless-steel bodywork, tank and knives

Includes automatic blade retraction for easy maintenance.



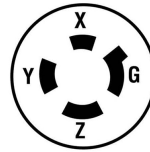
Adjustable pressure

Prevents de-gassing of the different types of dough.



ETL Listed US & Canada

If the ETL Listed mark has a "US" to the bottom right, it has passed U.S. product safety standards. If it has a "C" to the bottom left, it has passed Canadian product safety standards. If the ETL mark displays both identifiers, it meets both standards.



Plug Configuration

NEMA L15-20P

L15-20P



Partners

JAC is a member of these different associations

