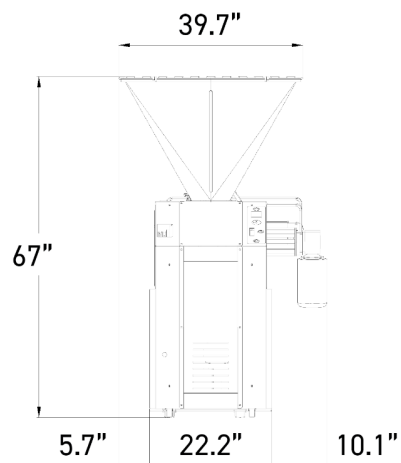
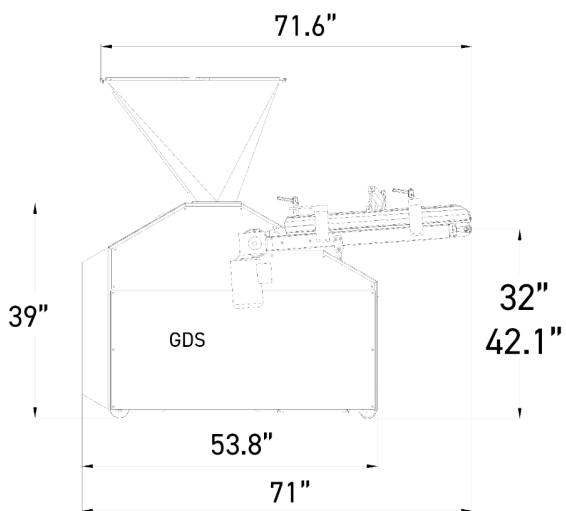




- ✓ Open hopper volumetric divider
- ✓ Stainless steel exterior
- ✓ Consistently accurate scaling
- ✓ High volume
- ✓ Built-in flour dispenser
- ✓ Pre-rounding of dough pieces
- ✓ 5 years parts / 1 year labor warranty



## SPECIFICATIONS

Adjustable speed in pieces per hour	960 - 2000
Teflon-coated hopper. capacity in ounces	4230 oz
Capacity in pounds	260 lbs
Programmable counter. countdown counter	•
Stainless steel drum	•
Triple-seal Rilsan piston	•
Stainless steel exterior	•
3-litre flour dispenser	•
Outfeed belt width in in	19.7"
Outfeed belt scraper	•
Adjustable pre-rounding tile	•
Oil recycling system	•
Motor power in kW	2.2
Type of motor	3ph/208V/60Hz/4.7A
Net weight in lbs	1270

## TECHNICAL SPECIFICATIONS

Piston size (Min/max weight of dough pieces in ounces)	3.14" (1 / 13 oz), 3.94" (1.7 / 24.7 oz), 4.33" (2.47 / 30 oz), 4.72" (3.2 / 35.3 oz), 5.12" (4.6 / 45.8 oz)
Options (Additional cost)	Dough piece lubrication, 440lb capacity Teflon-coated stainless steel hopper, Extracting dough pieces device (as standard on 3.14" piston and 3.94" piston), Dough piece rolling belt

## MAIN STRENGTHS



### Outfeed belt scraper

The belt is kept clean throughout use.



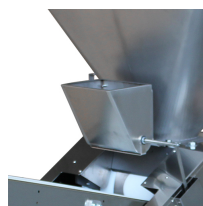
### Oil recycling system

Reduces oil consumption. Fitted with a filter and a low level alert.



### Adjustable pre-rounding tile

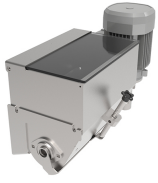
For pre-rounding dough pieces with different weights.



### Built-in flour dispenser (option)

Prevents the dough pieces from sticking to the belt.





### **Farineur**

JAC a développé un tout nouveau farineur intégré plus efficace avec un débit plus régulier. Il équipe dès à présent les GD et GDS de série.