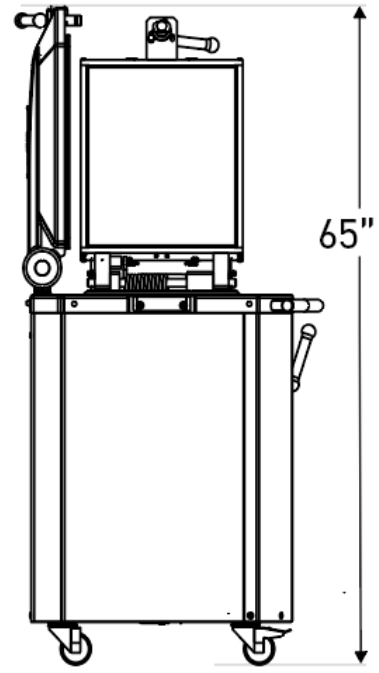
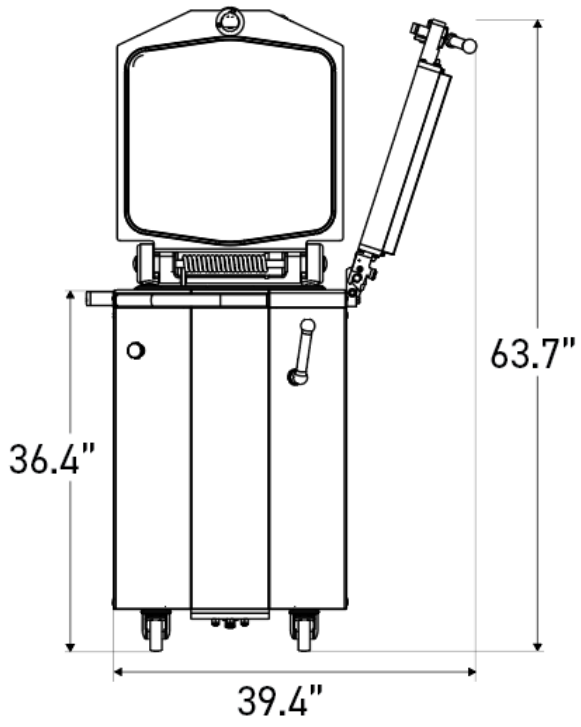


TRADIFORM

- ✓ Modular solution with cutting/forming grids
- ✓ Quick, efficient
- ✓ Versatile
- ✓ Minimal space required
- ✓ Pressure plate
- ✓ Stainless steel exterior
- ✓ 5 years parts / 1 year labor warranty





SPECIFICATIONS

Dimensions of tanks (L x W x H) in in	18.1" x 15.2" x 4.9"
Dimensions of heads (L x W) in in	4.5" x 2.9"
Min/max weight of dough pieces in oz	5.3 / 33.5
Tank capacity in lbs	41.9
10/20 divisions	•
Pressure plate	•
Automatic knife retraction	•
Flour splash prevention system	•
Supplied with a grid frame	•
Motor power in kW	1.8
Type of motor	3ph/208V/60Hz/11A
Net weight in lbs (including frame)	628.3

TECHNICAL SPECIFICATIONS

Easyflour	Yes
Options (Additional cost)	Left or right side grid storage

MAIN STRENGTHS



Easyclean

This extremely tough treatment is impregnated into the material; its exceptional non-stick qualities improve over time.



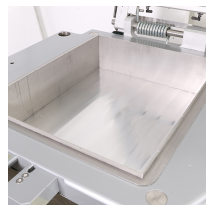
Stainless-steel bodywork, tank and knives

Includes automatic blade retraction for easy maintenance.



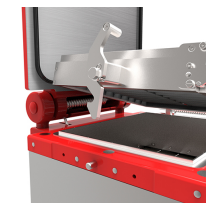
Adjustable pressure

Prevents de-gassing of the different types of dough.



Stainless steel tank

For optimum hygiene and easy maintenance



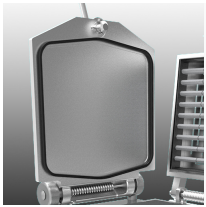
Easylock

Automatic grid holder locking system On closing, the grid holder locks automatically and starts the automatic dividing cycle.



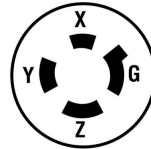
click&Cut

Quick grid changing system (JAC patent)



Flour splash prevention system

Prevents flour dispersal.



L15-20P

Plug Configuration

NEMA L15-20P



Baking Association
of Canada
Association canadienne
de la boulangerie

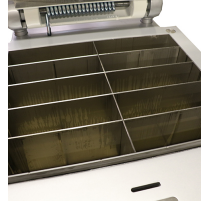


Partstown
Get it all parts online



Partners

JAC is a member of these different associations



10/20 divisions

10 / 20 divisions Allows working in 10 divisions (230mm x 75mm) or 20 divisions (115mm x 75mm)